



**FREELINE F44**

*Flynn Talbot*



Established in the Venetian countryside in 1961, Fabbian is one of the premier Italian lighting manufacturers operating in the modern design market with the design and manufacturing of lighting fixtures for commercial, residential, and custom needs. This rich history, combined with traditional Italian craftsmanship and the finest quality materials, keeps Fabbian a prominent brand internationally recognized in the architectural and design communities worldwide.

Fabbian continues to innovate by continuously researching new materials, finishes, styles, and aesthetics. Fabbian's factory is based in the Veneto region of Italy, and it has access to a vast network of local glass and metal artisans to ensure that the highest quality expectations and safety requirements are met.

# FREELINE F44

*Flynn Talbot*





Designer Flynn Talbot created the Freeline F44 configurable system to illuminate the X, Y, and Z axes.

He removed the limits of choosing a singular plane and enabled the creation of modern, minimal, 3-dimensional light sculptures that also provide functional illumination.

The Freeline Collection includes a highly configurable lighting system and standalone pendants that can be used independently or as part of the system.

Our patent-pending system will provide sculpture, function, and illumination in commercial and select residential projects.





Freeline's design flexibility allows this system to be used in a range of commercial and residential applications.

Systems can be minimal to complex, all with built in flexibility.





## Linear Pendant

Freeline F44 Linear Pendants take the central element of the Freeline system, the grooved rod, and turn it into light source.

The LED strip runs the length of the rods and rotates to provide direct or indirect illumination. Easily adjustable clamps suspend the rod.

Offered in two lengths, two finishes and two color temperatures.

Freeline Linear will perform in residential, commercial, retail, and hospitality applications.



## Linear Pendant

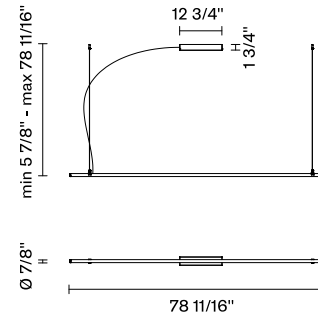
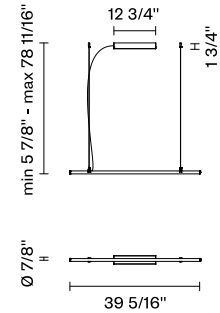
Low profile linear pendant lamp with anodized aluminum finish. Light fitting adjustable 360 degrees providing direct or indirect illumination. Floating canopy provides mounting flexibility for when junction boxes are not in ideal locations. Offered in two lengths. Optional 0-10V dimming available. 2700K and 3000K standard color temperatures, 3500K and 4000K available upon request.

### Lamp Type:

- 3.3': 14.4W 120V/24V 960 lumens 3000K or 2700K >80CRI LED
- 6.7': 28.8W 120V/24V 1920 lumens 3000K or 2700K >80CRI LED

### Model Numbers:

- F44 A01A 02 - 3.3' / Black / 3000K
- F44 A02A 02 - 3.3' / Black / 2700K
- F44 A01A 76 - 3.3' / Bronze / 3000K
- F44 A02A 76 - 3.3' / Bronze / 2700K
- F44 A03A 02 - 6.7' / Black / 3000K
- F44 A04A 02 - 6.7' / Black / 2700K
- F44 A03A 76 - 6.7' / Bronze / 3000K
- F44 A04A 76 - 6.7' / Bronze / 2700K





## Freeline System

Freeline enables creative design - no longer does the lighting need to stay on a singular plane. Create a system that works in 3-dimensions and provides ambient, accent and task illumination.



## System Components

Freeline System's base components are:

- Grooved, round rail non-powered or with integral LED strip
- Versatile connectors
- LED machined-aluminum or blown-glass heads.

Rail pieces can be installed vertically, horizontally, diagonally or all three.

Fixtures can be powered remotely, directly or via cord and plug.





Combine all three fixture types to create a layered lighting installation that solves for accent and ambient needs.

## System Fixtures

Freeline has three fixture types:

- Floodlight- 6" with 120° beam spread
- Spotlight- 2.25" x 5" with 10° optics included
- Glass Globe- 5.75", hand-blown with sand blasted white finish for diffuse illumination

Light Source:

- LED 24 VDC, Remote Phosphor, 8W
- White 3000K or 2700K, 934 initial lumens CRI >90

Driver:

- Choice of remote drivers including 60W, 96W and select Lutron 24V drivers.





## System Fixtures



### Spotlight

8W 24Vdc LED 10° beam spread  
934 Initial lumens  
2700K or 3000K\*  
CRI >90  
13' or 32' cord length

F44 L01A 02 - 3000K /13' cord  
F44 L03A 02 - 2700K / 13' cord  
F44 L02A 02 - 3000K / 32' cord  
F44 L04A 02 - 2700K / 32' cord

### Glass Globe

8W 24Vdc LED 120° beam spread  
934 Initial lumens  
2700K or 3000K  
CRI >90  
13' or 32' cord length

F44 L21A 02 - 3000K /13' cord  
F44 L23A 02 - 2700K / 13' cord  
F44 L22A 02 - 3000K / 32' cord  
F44 L24A 02 - 2700K / 32' cord



### Floodlight

8W 24Vdc LED 120° beam spread  
934 Initial lumens  
2700K or 3000K\*  
CRI >90  
13' or 32' cord length

F44 L11A 02 - 3000K /13' cord  
F44 L13A 02 - 2700K / 13' cord  
F44 L12A 02 - 3000K / 32' cord  
F44 L14A 02 - 2700K / 32' cord



\* 3500K and 4000K available upon request



## System Structure

Freeline F44's track is offered in two forms: with or without an integral LED strip. Both are made from grooved, extruded aluminum.

- 3.3' and 6.7' rods standard
- Offered in anodized black or bronze finish
- Non-illuminated rods can be coupled together or field cut. (Field cut rods cannot be coupled)
- Each rail can hold up to 12 heads.
- Illuminated bars include an LED strip for providing direct or indirect ambient illumination.



Track Cross Section



## System Components - Rods



### Extruded Rod

Each rod includes 2 threaded end connectors and 4 end caps  
Can hold up to 12 lights

F44 M11A 02 - 3.3' / Black finish  
F44 M11A 76 - 3.3' / Bronze finish  
F44 M12A 02 - 6.7' / Black finish  
F44 M12A 76 - 6.7' / Bronze finish

### Extruded Rod- with LED

3.3': 14.4W 24Vdc 3000K or 2700K\*  
6.7': 28.8W 24Vdc 3000K or 2700K\*  
CRI >90

Each rod includes the LED, Diffuser, wire, 2 end caps  
Can hold up to 8 lights

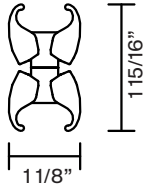
F44 M14A 02 - 3.3' / Black finish / 3000K  
F44 M17A 02 - 3.3' / Black finish / 2700K  
F44 M14A 76 - 3.3' / Bronze finish / 3000K  
F44 M17A 76 - 3.3' / Bronze finish / 2700K  
F44 M15A 02 - 6.7' / Black finish / 3000K  
F44 M18A 02 - 6.7' / Black finish / 2700K  
F44 M15A 76 - 6.7' / Bronze finish / 3000K  
F44 M18A 76 - 6.7' / Bronze finish / 3000K



\* 3500K and 4000K available upon request



## System Components - Fasteners



F44 Z01A 02

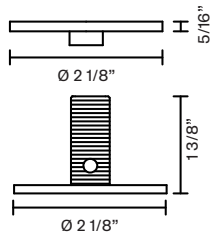
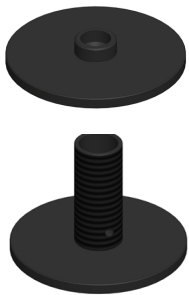
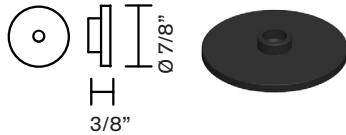
### Coupler Brackets

Pack of two connectors. Connect two rods together perpendicular, parallel or somewhere in between

F44 Z02A 02

### Ceiling/Wall Attachment

Black aluminum ceiling fastening kit. Attaches rod to the ceiling or wall.



F44 Z05A 02

### Floor Lamp Kit

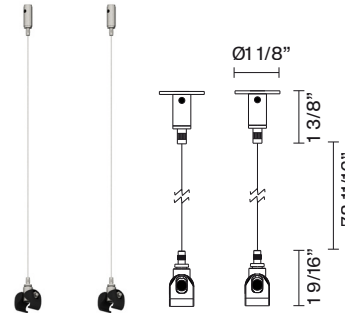
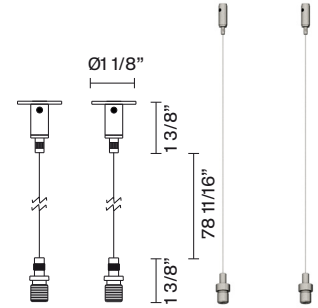
Black aluminum. Includes the accessories needed to install the rod in a floor-to-ceiling vertical position.

## Pendant Kits

F44 Z07A 02

### Screw Pendant Kit (pack of 2pcs)

Includes the accessories needed to suspend a rod vertically from the ceiling, includes 2 steel cables (78 11/16") and the ceiling cable connector for each steel cable.



F44 Z09A 02

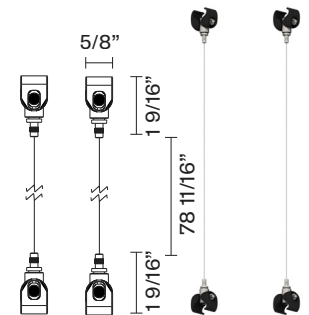
### Single Fastening Joint Pendant Kit (2 pcs)

Includes the accessories needed to suspend a rod from the ceiling, and includes 2 steel cables (78 11/16"), the ceiling cable connector and 1 fastening joint for each steel cable.

F44 Z11A 02

### Double Fastening Joint Pendant Kit (2pcs)

Includes the accessories needed to suspend a rod from another rod, and includes 2 steel cables (78 11/16") and 2 fastening joints for each cable.



## System Components - Power



**A55208**  
60W 24VDC Triac-Dim Driver  
Fits in 4x4 box and covered by F32M91A02  
Black J-Box Coverplate



**A55209**  
96W 24VDC Class 2 Remote Driver  
120V  
ELV Dimming  
Contractor provides enclosure



**A55210**  
96W 24V Integral Junction Box  
120-277V (UNV)  
0-10V Dimming  
Integral Junction Box



**LTEA4U1-UKL-CV240**  
49W 24V Lutron Hi-Lume  
120V  
1% 2-wire Forward Phase Dimming  
K-case mounted on a junction box to provide wiring compartment



**L3D0-96W24V-U**  
96W 24V Lutron  
Hi-Lume Premiere  
120-277V (UNV)  
24V Constant Voltage  
3-Wire  
Soft-on, Fade-to-Black operation  
Continuous dimming down to 0.1% low-end

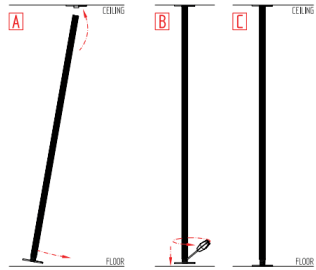
## Accessories

**F44 M02A 02**  
Structure-Mount Class-2 Wiring Connection Point (up to 7 fixtures)  
Use to gather multiple fixture wires

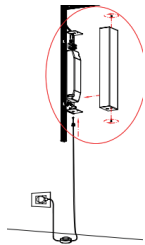


**F32M91 A02**  
Black J-Box Coverplate  
  
Run 1wire from F44M02A02  
Module through cover plate to  
driver

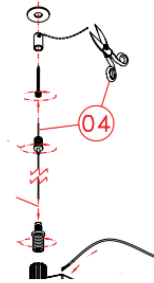
## Installation Details



Floor mount hardware kit  
F44 Z05

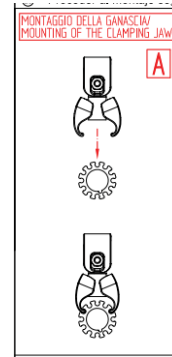


On-Fixture Driver Cord  
and Plug  
F44 M01 A 02  
F44 Z03 A 02

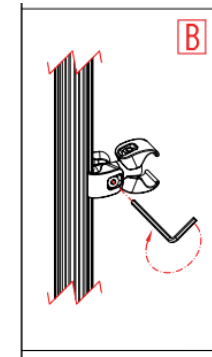


Freeline Hanging  
Kit  
F44 Z07

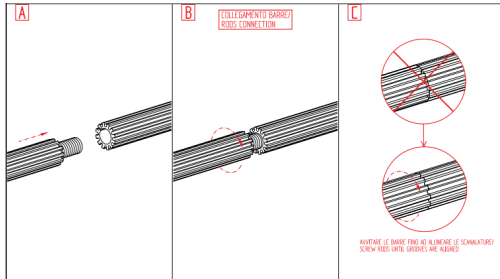
## Installation and Wiring Details



Fixture Mounting



Coupler Mounting

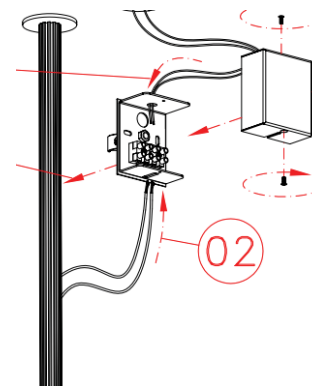
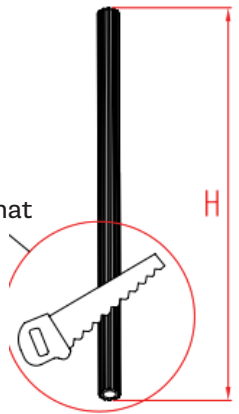


Rods are threaded on each end when shipped and include (4) end-caps and interlock coupler.

Threaded end required for floor/wall/ceiling or interlocking rods.



If cutting, note that inside will not be threaded.



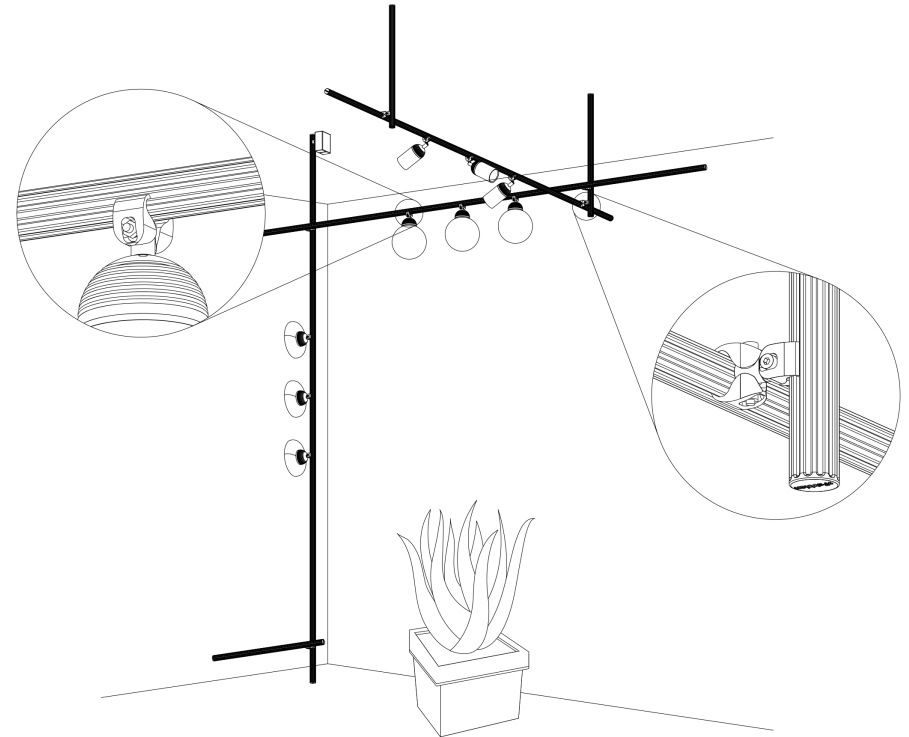
Connection Box

Up to 7 fixture wires gather in this enclosure. Only 1 wire goes to ceiling/wall-mounted J-box and driver.

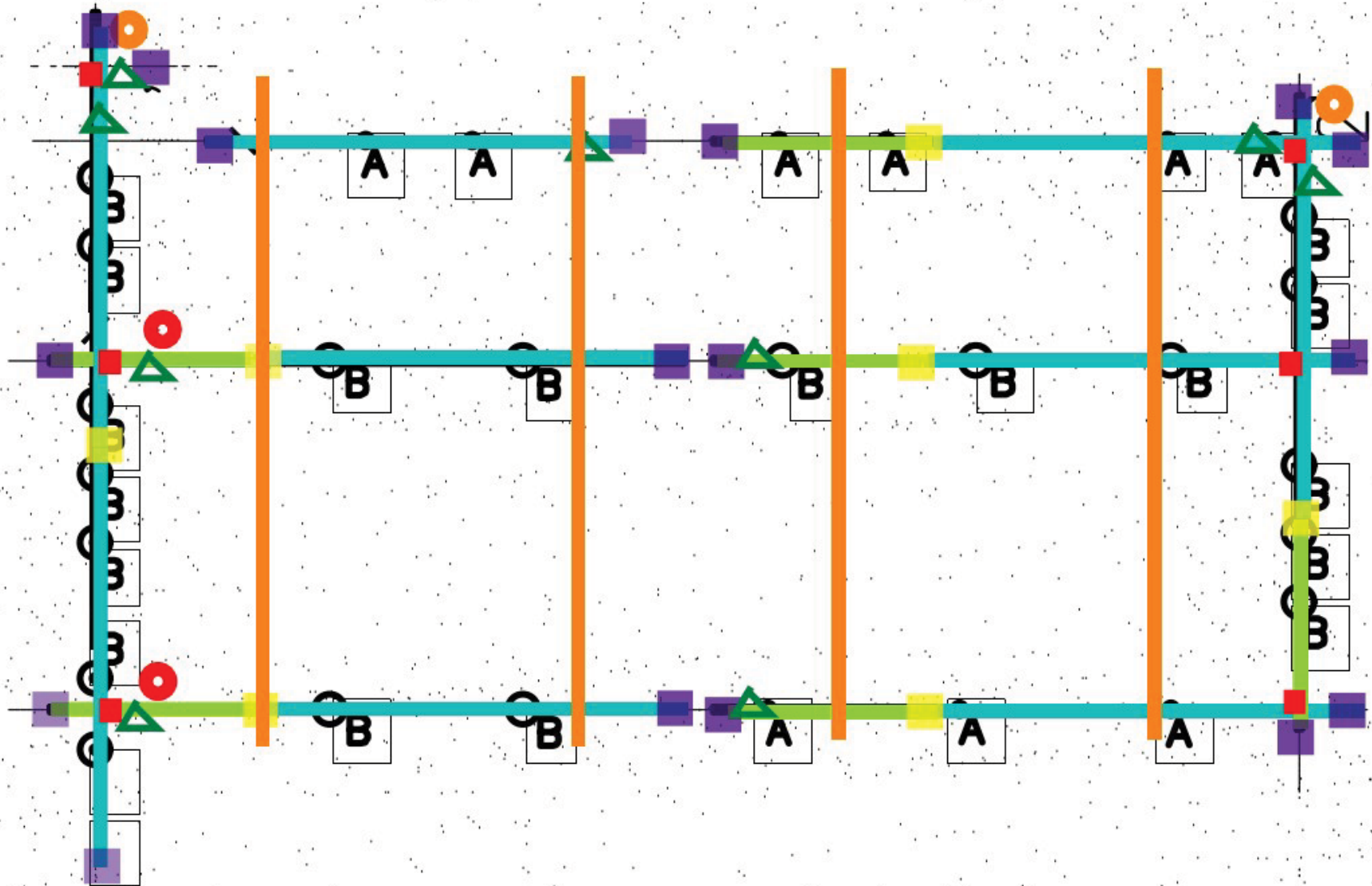


## Create a Freeline System

1. Design your structure layout
  - Using 3.3' and 6.7' rods, create the design
  - Couple rods together where needed for longer lengths
2. Determine the Connectors needed
  - Count connection points to wall/ceiling
  - Count connection points where structures intersect
3. Determine fixtures needed
  - Floodlight
  - Spotlight
  - Glass Globe
4. Select your power details:
  - 60W Driver with plug-in power cord on Structure
  - 60W Driver to go in square J-box in ceiling / wall with class 2 connection point on structure
  - Note - (1) 60W Driver per 7 fixtures max



Sample Office Layout



Sample Custom Layout

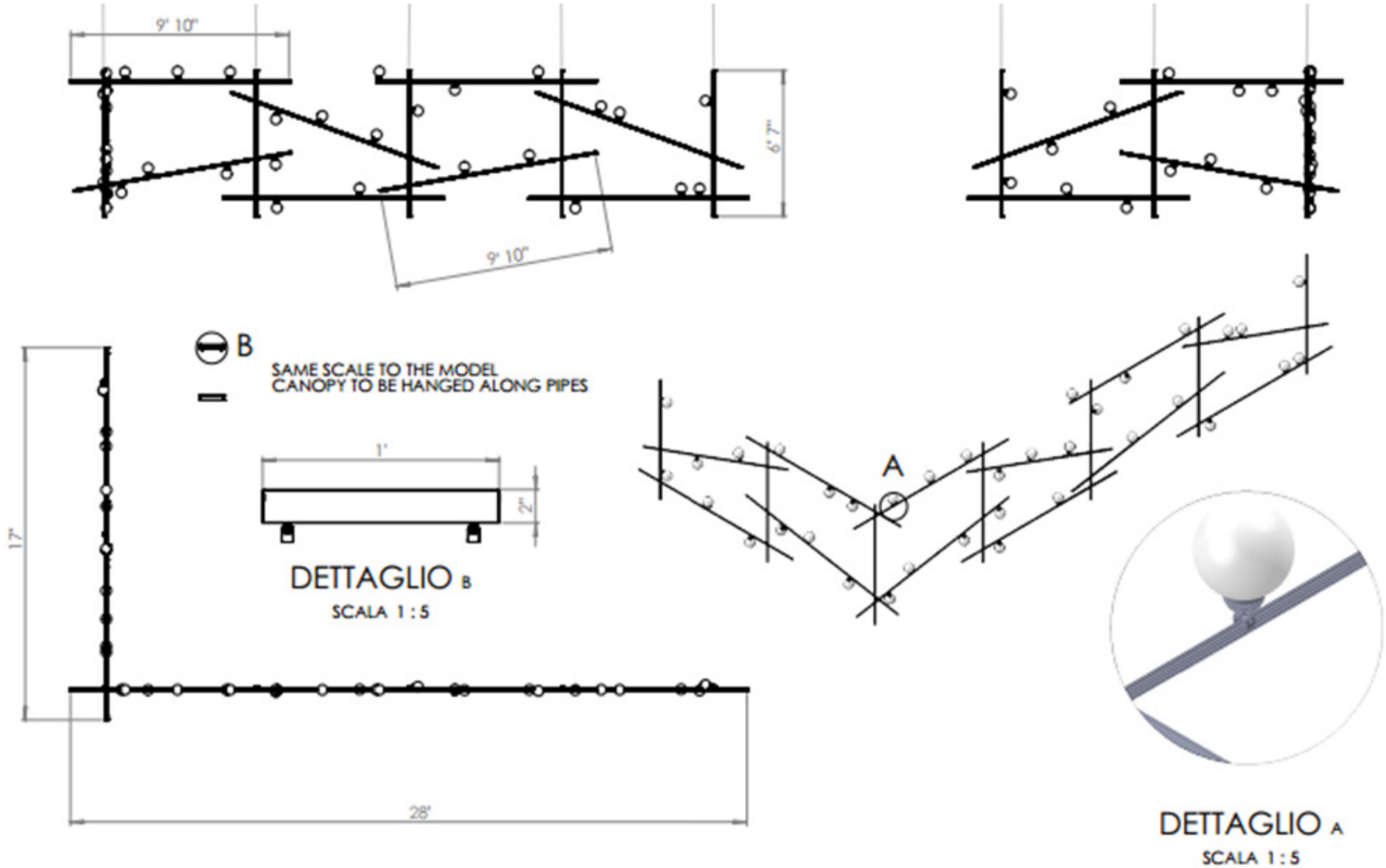










Photo by courtesy of Leeward Community College











[fabbian.us](http://fabbian.us)

