

Lumi HP LED F66  
**A55208**



Fixture type   
Project name

---

### Features

60W 24V Class 2 Remote-Mount. Fits inside of 4x4 J-Box.

---



### Description

60W 24V Class 2 Remote-Mount. Fits inside of 4x4 J-Box.

---

<b>Voltage</b>	<b>Dimmable</b>
120V	ELV

---

### Specs



---

### Light source and Technical

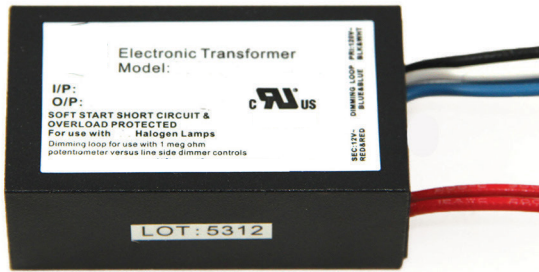
**Lamp type:** LED Driver  
**Wattage:** 60W

---

# Fabbian

60W 24V DC  
A55208

No Load Technology, Optimized for Low Voltage LED & Halogen Bulbs! \*\*



Efficiency	higher than 85%
Power Factor	>98%
Case TC*	90°C Max
Protection	Input/ Output
Storage	-30°C/ +90°C
Humidity	95% RH max
IP Rating	IP 60
Standard Dimming	ELV Dimmable
Special Dimming	Dimming Loop (DL)
Special Dimming	0-10V Dimming (D10)
Class	Class 2



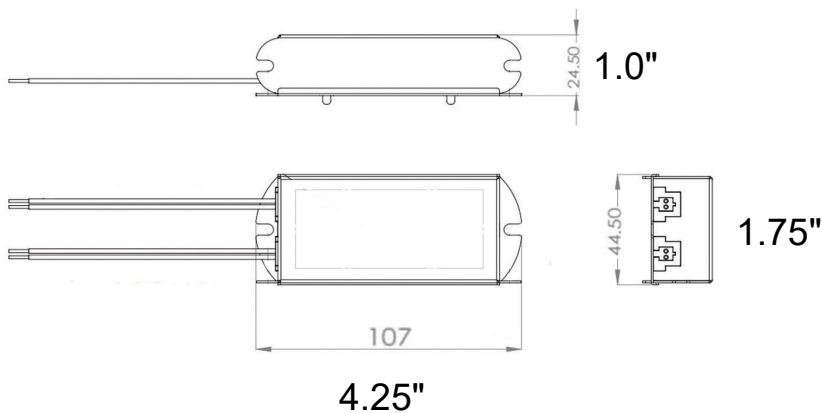
## FEATURES

- No load technology, works with both Halogen & LED AC loads \*\*
- Isolated output power per NEC and UL safety requirements
- UL recognized/listed Class 2 power supply, meet UL 2108 requirements
- Auto-reset; Short circuit, Overload and Thermal protection
- Soft start
- Dimmable and available with special dimming features
- Low profile, small compact design to fit in most enclosures

## ELECTRICAL SPECIFICATIONS

120V					
Model #	Input Voltage	Input Current	Output Voltage	Weight	Load Type
A55208	120V AC /60Hz	0.5 A	24V DC	160g	LED Strips, LED Bulbs, Incandescent & Halogen Bulbs

## MECHANICAL SPECS. FOR ALL DC PRODUCTS



Available Form Factors	Dimensions
Standard "E"	107X44.5X24.5mm

\*Under confirmed thermal condition \*\*Only true for model #'s with "LED" suffix