

Multispot F32

A55208



Fixture type

Project name



Material

Electronic Driver

Not included accessories

LED Pendant, Canopy/Junction box cover

Features

60W 24V Class 2 Remote-Mount. Fits inside of 4x4 J-Box.

Description

60W 24V Class 2 Remote-Mount. Fits inside of 4x4 J-Box.

Voltage

120V

Dimmable

ELV

Light source and Technical

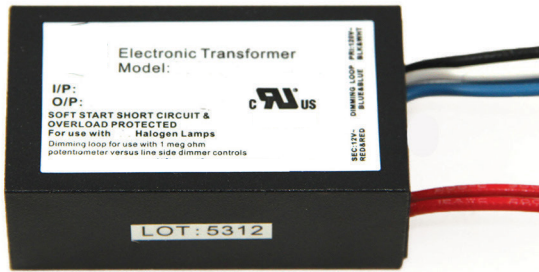
Lamp type: LED Driver

Wattage: 60W

Fabbian

60W 24V DC
A55208

No Load Technology, Optimized for Low Voltage LED & Halogen Bulbs! **



FEATURES

- No load technology, works with both Halogen & LED AC loads **
- Isolated output power per NEC and UL safety requirements
- UL recognized/listed Class 2 power supply, meet UL 2108 requirements
- Auto-reset; Short circuit, Overload and Thermal protection
- Soft start
- Dimmable and available with special dimming features
- Low profile, small compact design to fit in most enclosures

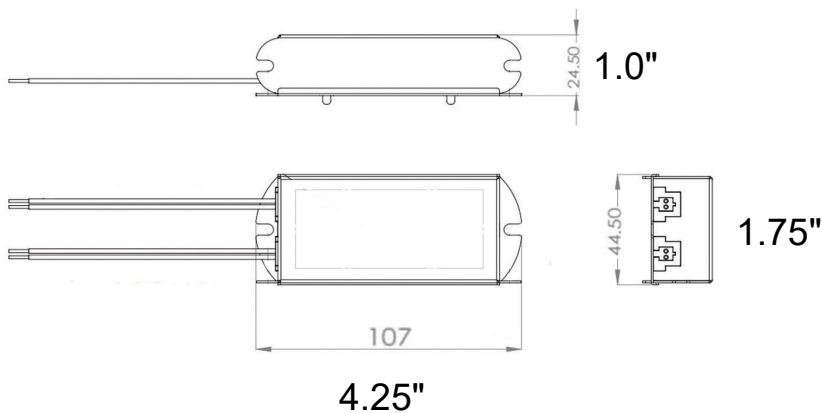
Efficiency	higher than 85%
Power Factor	>98%
Case TC*	90°C Max
Protection	Input/ Output
Storage	-30°C/ +90°C
Humidity	95% RH max
IP Rating	IP 60
Standard Dimming	ELV Dimmable
Special Dimming	Dimming Loop (DL)
Special Dimming	0-10V Dimming (D10)
Class	Class 2



ELECTRICAL SPECIFICATIONS

120V					
Model #	Input Voltage	Input Current	Output Voltage	Weight	Load Type
A55208	120V AC /60Hz	0.5 A	24V DC	160g	LED Strips, LED Bulbs, Incandescent & Halogen Bulbs

MECHANICAL SPECS. FOR ALL DC PRODUCTS



Available Form Factors	Dimensions
Standard "E"	107X44.5X24.5mm

*Under confirmed thermal condition **Only true for model #'s with "LED" suffix