

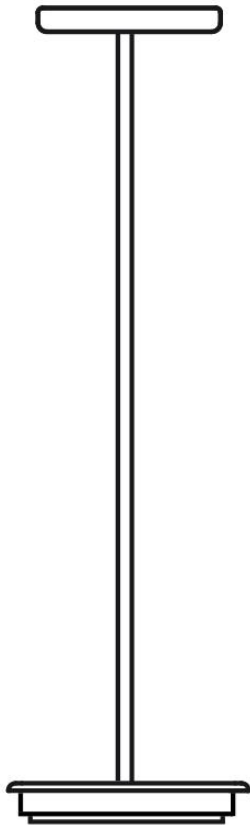
Lumi HP LED F66

**F66L73SA02**

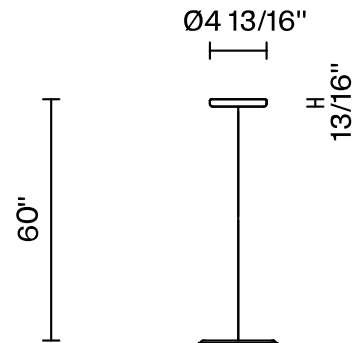
A.Saggia & V.Sommella / D&G Studio

Fixture type

Project name



## Dimensions



## Material

Metal

## Color

 Black

## Other colors available

Check online [www.fabbian.us](http://www.fabbian.us)

## Included accessories

LED, stem, canopy

## Not included accessories

Glass diffuser

## Description

Rigid stem suspension module for use with large Lumi glass diffuser. Metal fitter, field-cutttable stem, and canopy with painted black finish. Includes wipe-down cover, junction box cover plate, and offset mounting hardware. 3500K

## Voltage

Based on selected driver

## Dimmable

Based on selected driver

## Specs



DRY

## Light source and Technical

**Lamp type:** LED

**Wattage:** 17W

**Color temperature:** 3500K

**CRI:** 90+

**Lumens:** 2365 initial lm