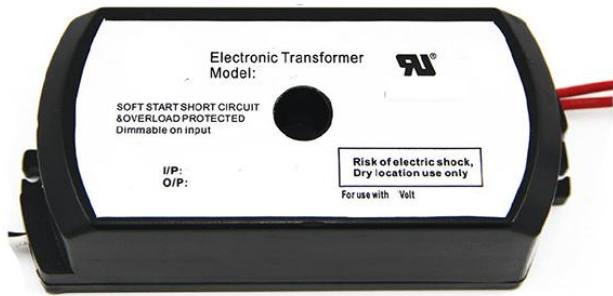


Lumi HP LED F66
A55209

Fixture type
Project name



Material

Electronic Driver

Features

96W 24V Class 2 Remote Mount

Description

96W, 24V, 120V, ELV Dimming - Supports up to 12 small or 4 large Lumi Tech fixtures

Voltage	Dimmable
120V	ELV

Light source and Technical

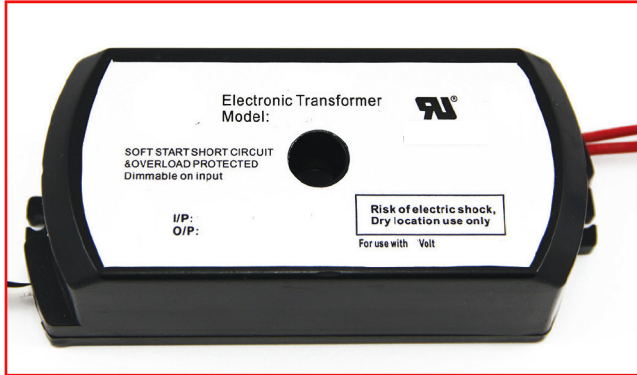
Lamp type: LED Driver

Wattage: 96W

Fabbian Low Voltage Electronic Transformer

Model A55209

96W 24V DC



Efficiency	higher than 85%
Power Factor	>98%
Case TC*	90°C Max.
Protection	Input / Output
Storage	-30°C / +90°C
Humidity	95% RH Max.
IP Rating	IP 60
Dimming	ELV Dimmable
Class	Class 2



RoHS



Year Warranty

FEATURES

- No load technology, works with both Halogen & LED AC loads **
- Isolated output power per NEC and UL safety requirements
- UL recognized Class 2 power supply meet UL 2108 requirements
- Auto-reset; Short circuit, Overload and Thermal protection
- Soft start
- Dimmable
- Low profile, small compact design to fit in most enclosures

ELECTRICAL SPECIFICATIONS

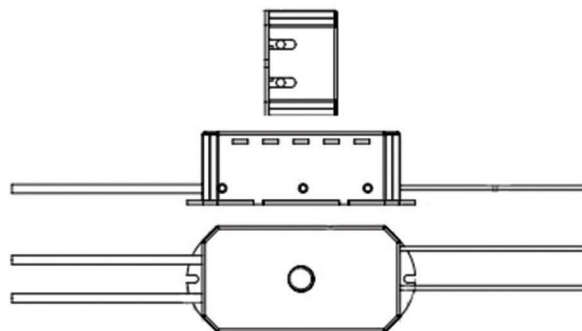
120V					
Model #	Input Voltage	Input Current	Output Voltage	Weight	Load Type
A55209	120V AC 50/60Hz	0.8A	24V DC	240g	LED Strips, LED Bulbs, Incandescent & Halogen Bulbs

MECHANICAL SPECS.

STANDARD

DC - E6 4.75" x 2.2" x 1.5"

Available Form Factors	Dimensions
Standard DC "E6"	4.75" x 2.2" x 1.5"



WIRE DERATING GUIDE FOR 24V FOR DISTANCE TO DRIVER

Gauge	Distance
18AWG	25 feet
16AWG	40 feet
14AWG	60 feet
12AWG	100 feet
10AWG	150 feet

* Under confirmed thermal condition