

Cloudy F21

F66G03SA 41

A.Saggia & V.Sommella / D&G Studio

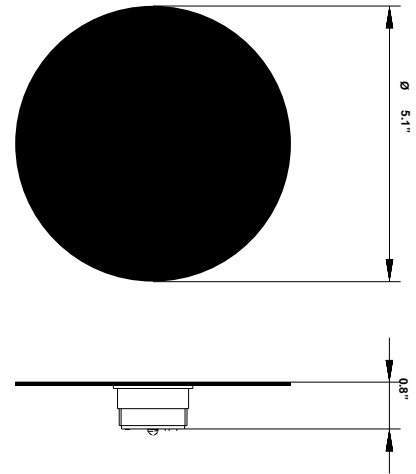
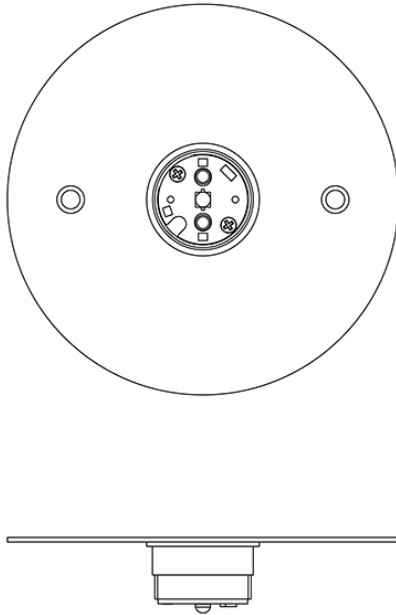


Fixture type

Project name



Dimensions



Description

Wall or ceiling module for use with small Cloudy glass diffuser. Metal structure with painted copper finish. 3500K

Voltage

Based on selected driver

Dimmable

Based on selected driver

Specs



DRY

Light source and Technical

Lamp type: LED

Wattage: 7W

Color temperature: 3500K

CRI: 90+

Lumens: 900 initial lm

Material

Metal

Color

 Copper

Other colors available

Check online www.fabbian.us

Included accessories

LED

Not included accessories

Glass diffuser, driver