

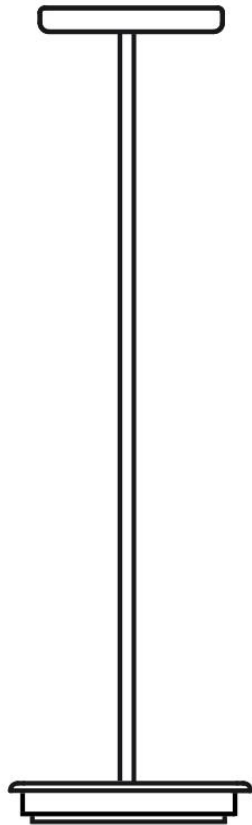
Aérostат F27

F07A62SA02

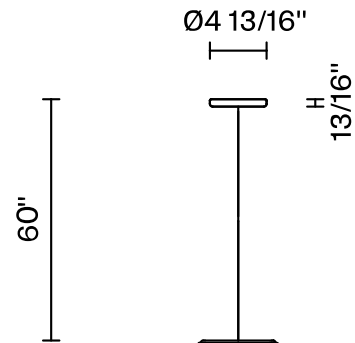
A.Saggia & V.Sommella / D&G Studio

Fixture type

Project name



Dimensions



Material

Metal

Color

 Black

Other colors available

Check online www.fabbian.us

Included accessories

LED, stem, canopy

Not included accessories

Glass diffuser

Description

Rigid stem suspension module for use with large Aérostат glass diffuser. Metal fitter, field-cuttable stem, and canopy with painted black finish. Uses 120V 3000K LED.

Voltage

120V

Dimmable

TRIAC/ELV

Specs



DRY

Light source and Technical

Lamp type: LED

Wattage: 17W

Color temperature: 3000K

CRI: 90+

Lumens: 1307 initial lm