

Loop F35

**A55208**



Fixture type

Project name



## Description

60W 24V Class 2 Remote-Mount. Fits inside of 4x4 J-Box.

## Voltage

120V

## Dimmable

ELV

## Specs



## Light source and Technical

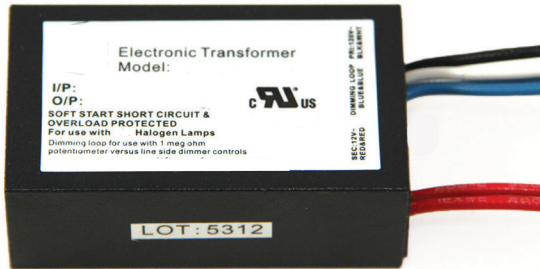
Lamp type: LED Driver

Wattage: 60W

# Fabbian

60W 24V DC  
A55208

No Load Technology, Optimized for Low Voltage LED & Halogen Bulbs!\*\*



Efficiency	higher than 85%
Power Factor	>98%
Case TC*	90°C Max
Protection	Input/ Output
Storage	-30°C/ +90°C
Humidity	95% RH max
IP Rating	IP 60
Standard Dimming	ELV Dimmable
Special Dimming	Dimming Loop (DL)
Special Dimming	0-10V Dimming (D10)
Class	Class 2



## FEATURES

- No load technology, works with both Halogen & LED AC loads \*\*
- Isolated output power per NEC and UL safety requirements
- UL recognized/listed Class 2 power supply, meet UL 2108 requirements
- Auto-reset; Short circuit, Overload and Thermal protection
- Soft start
- Dimmable and available with special dimming features
- Low profile, small compact design to fit in most enclosures

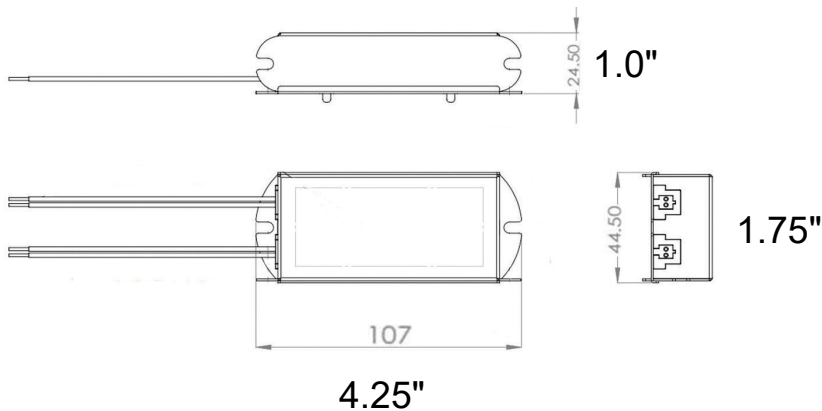
WIRE DERATING GUIDE FOR 24V FOR DISTANCE TO DRIVER

Gauge	Distance
18AWG	25 feet
16AWG	40 feet
14AWG	60 feet
12AWG	100 feet
10AWG	150 feet

## ELECTRICAL SPECIFICATIONS

120V	Model #	Input Voltage	Input Current	Output Voltage	Weight	Load Type
	A55208	120V AC /60Hz	0.5 A	24V DC	160g	LED Strips, LED Bulbs, Incandescent & Halogen Bulbs

## MECHANICAL SPECS. FOR ALL DC PRODUCTS



Available Form Factors	Dimensions
Standard "E"	107X44.5X24.5mm

\*Under confirmed thermal condition \*\*Only true for model #'s with "LED" suffix