

Loop F35

A55208



Fixture type

Project name



Description

60W 24V Class 2 Remote-Mount. Fits inside of 4x4 J-Box.

Voltage

120V

Dimmable

ELV

Specs



Light source and Technical

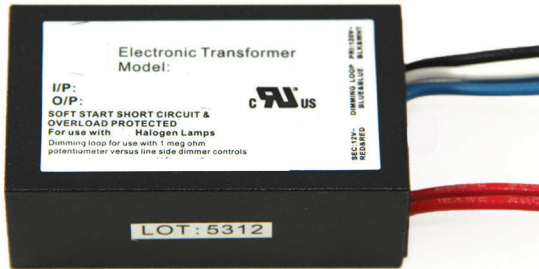
Lamp type: LED Driver

Wattage: 60W

Fabbian

60W 24V DC
A55208

No Load Technology, Optimized for Low Voltage LED & Halogen Bulbs!**



| | |
|------------------|---------------------|
| Efficiency | higher than 85% |
| Power Factor | >98% |
| Case TC* | 90°C Max |
| Protection | Input/ Output |
| Storage | -30°C/ +90°C |
| Humidity | 95% RH max |
| IP Rating | IP 60 |
| Standard Dimming | ELV Dimmable |
| Special Dimming | Dimming Loop (DL) |
| Special Dimming | 0-10V Dimming (D10) |
| Class | Class 2 |



FEATURES

- No load technology, works with both Halogen & LED AC loads **
- Isolated output power per NEC and UL safety requirements
- UL recognized/listed Class 2 power supply, meet UL 2108 requirements
- Auto-reset; Short circuit, Overload and Thermal protection
- Soft start
- Dimmable and available with special dimming features
- Low profile, small compact design to fit in most enclosures

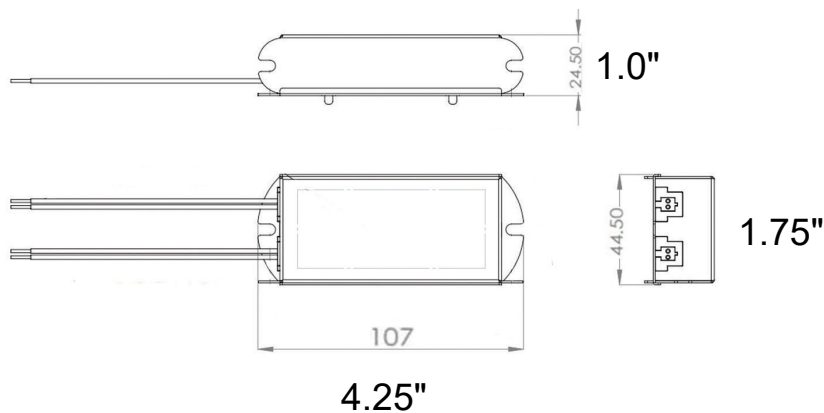
WIRE DERATING GUIDE FOR 24V FOR DISTANCE TO DRIVER

| Gauge | Distance |
|-------|----------|
| 18AWG | 25 feet |
| 16AWG | 40 feet |
| 14AWG | 60 feet |
| 12AWG | 100 feet |
| 10AWG | 150 feet |

ELECTRICAL SPECIFICATIONS

| 120V | Model # | Input Voltage | Input Current | Output Voltage | Weight | Load Type |
|------|---------|---------------|---------------|----------------|--------|---|
| | A55208 | 120V AC /60Hz | 0.5 A | 24V DC | 160g | LED Strips, LED Bulbs, Incandescent & Halogen Bulbs |

MECHANICAL SPECS. FOR ALL DC PRODUCTS



| Available Form Factors | Dimensions |
|------------------------|-----------------|
| Standard "E" | 107X44.5X24.5mm |

*Under confirmed thermal condition **Only true for model #'s with "LED" suffix