

Oru F25

F25A07A41

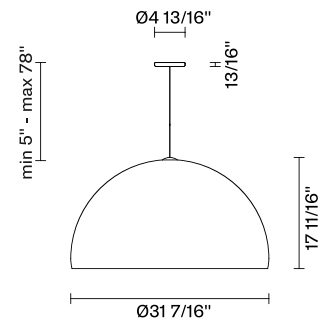
Vim & Vigor



Fixture type
Project name



Dimensions



Material

Copper - Metal

Color

 Copper

Other colors available

Check online www.fabbian.us

Not included accessories

Bulb

Weight Lamp

24.5 lbs

Notes

Derating labels available upon request

Description

Oru Copper pendant lamp is created from a single sheet of copper that is hand-hammered over a wooden mold. The artisan's hammering marks are visible on the unfinished exterior to display each pendant's unique personality. The pendants' interior is polished to a smooth finish to reflect the light source further.

Voltage

120V

Specs



DRY

Light source and Technical

Lamp type: E26 3x150W

Wattage: 150W