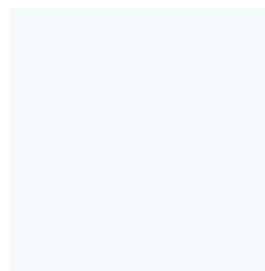


Faretti D27  
**D27F33NC00**  
*Pamio Design*

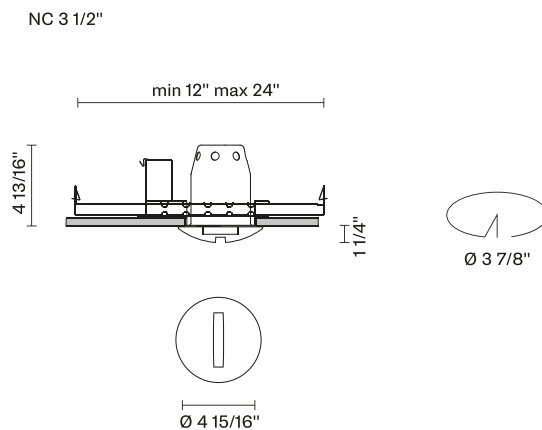


Fixture type

Project name



## Dimensions



## Material

Crystal glass

## Color

Clear

## Other colors available

Check online [www.fabbian.us](http://www.fabbian.us)

## Included accessories

LED, Driver

## Options

0-10V dimming  
 2700K, 3500K, 4000K  
 2000 Lumen Module  
 277V  
 Safety cable model D27-SC for seismic needs

## Description

The Faretti Jnat semi-recessed lamp has a rounded shape that enhances the effect of the light. Made of transparent crystal glass. Integral LED lamping. New Construction Housing. Suitable for residential, corporate, hospitality, and retail applications.

## Voltage

120V

## Dimmable

ELV

## Specs



T24

## Light source and Technical

**Lamp type:** LED

**Wattage:** 16W

**Color temperature:** 3000K

**CRI:** 93

**Lumens:** 1000lm

Faretti

## D27 LED Housings



### Project Reference

### Fixture Type

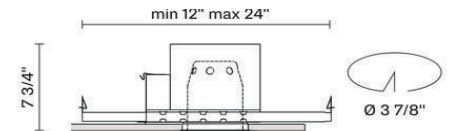
### Selected Product Model



RM LED  
Integral LED Remodel Applications



NC LED  
Integral LED for New Construction



IC LED  
Integral LED, Insulated Ceiling Contact

### Description

After intense research on shapes in spaces, Pamio Design Studio succeeded in creating a wide range of recessed lighting fixtures that are both functional and exquisite. The shapes, facets, materials, and finishes were conceived to produce the best lighting possible while adding a touch of elegance to the usual recessed spotlights making the space less technical and cold.

The result is the D27 Faretti series, a range of "small gems of light", that enhance the ceiling in any space, creating elegant, unique atmospheres. Recessed lighting fixtures are for indoor use with housings available for Remodel, New Construction, and Insulated Ceilings. Match with Crystal and Glass Trims in both transparent or satin finishes, and some with stainless steel front plates.

Trims are available for DRY (open glass) or DAMP (closed glass) applications.

### Optical assembly

- Bridgelux BXRC-30E2000-C-23 Remote Phosphor LED Module  
40 Degree Optical Assembly with Integral Heatsink
- >93+ CRI
- Field Accessible and Replaceable

### Product performances

- LED 500mA
- 1x16W - 40°
- WHITE 3000K, 93+CRI
- 1000 Source lumens

Hm	BEAM (ft)	FC
8'	5.8	41
10'	7.2	26
12'	8.6	18
14'	10.1	14



### Weight

5.51 lb

### Electrical & dimming

- 120V Only
- Dimmable to 10% with ELV Dimmer

### Mechanical

#### Remodel Housing:

- Housing is designed for Remodel installations up to 5/8" thick ceilings and not for contact with insulation
- (4) Clips are used to lock fixture into place
- Multiple knockouts located on (4) sides of the driver box for easier installation access

#### New Construction (NC) and Insulated Ceiling (IC) Housings:

- Trim on housing is preset for 1/2" drywall and field adjustable to work with up to 2.5" ceiling thickness
- Hanger Bars adjustable from 13" to 25" for joist and grid ceiling installations
- Pre-attached nails included on hanger bars
- Housing is designed for New Construction installations
  - NC - Not for contact with insulation
  - IC - For direct insulation contact

### Product options (Minimum order quantities may apply)

#### Driver

- D27F-MOD-DRVR-277V-ELV - 277V Only, ELV Dimming
- D27F-MOD-DRVR-UNV-010V - 0-10V dimming (NC and IC only)
- D27F-MOD-ELDOLED - HO Driver 0.1% Dimming. Programmable for 1000 or 1918 lumens (NC and IC (low output only) only)

#### Safety Clip

- D27-SC - 12" Safety cable with safety clamp for Faretti Glass

#### CCT

- D27F-MOD-2700K - 2700K, 93CRI
- D27F-MOD-3500K - 3500K, 93CRI
- D27F-MOD-4000K - 4000K, 93CRI

#### High Output

- D27F-MOD-HI-OUTPUT - 1918 Initial Lumens, 93CRI. (NC Only)

### Listing & warranties

ETL Listed to UL 1578 Standard



\* Options listed are available with extended lead times; minimum order quantities may apply

Pictures, descriptions, dimensions and technical data have to be considered as purely indicative. While maintaining the basic characteristics of the product, the manufacturer reserves the right to make modifications at any time with the sole aim of improvement.