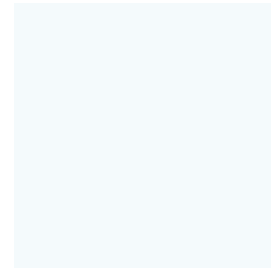


Faretti D27
D27F03NC00
Pamio Design

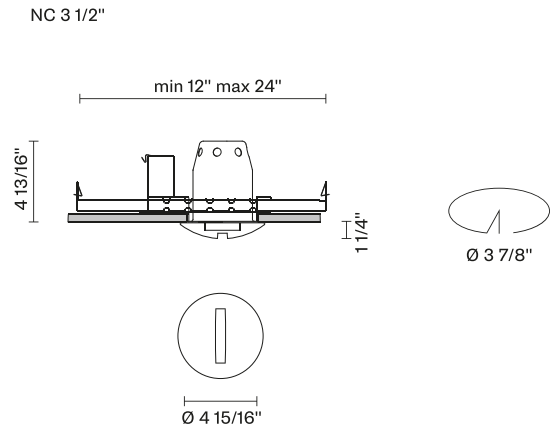


Fixture type

Project name



Dimensions



Material

Crystal glass

Color

Clear

Other colors available

Check online www.fabbian.us

Not included accessories

GU10 Lamp

Description

The Faretti Jnat semi-recessed lamp has a rounded shape that enhances the effect of the light. Made of transparent crystal glass. GU10-based lampping. New Construction Housing. Suitable for residential, corporate, hospitality, and retail applications.

Voltage

120V

Dimmable

TRIAC

Specs



Light source and Technical

Lamp type: Halogen/Retrofit

Wattage: 50W