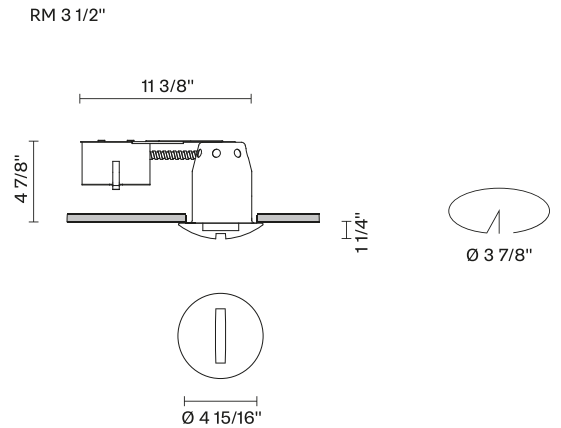


Faretti D27
D27F03RM01
Pamio Design

Fixture type
 Project name



Dimensions



Material

Crystal glass

Color

White

Other colors available

Check online www.fabbian.us

Not included accessories

GU10 Lamp

Description

The Faretti Jnat semi-recessed lamp has a rounded shape that enhances the effect of the light. Made of white crystal glass. GU10-based lamping. Remodel Housing. Suitable for residential, corporate, hospitality, and retail applications.

Voltage

120V

Dimmable

TRIAC

Specs



Light source and Technical

Lamp type: Halogen/Retrofit

Wattage: 50W