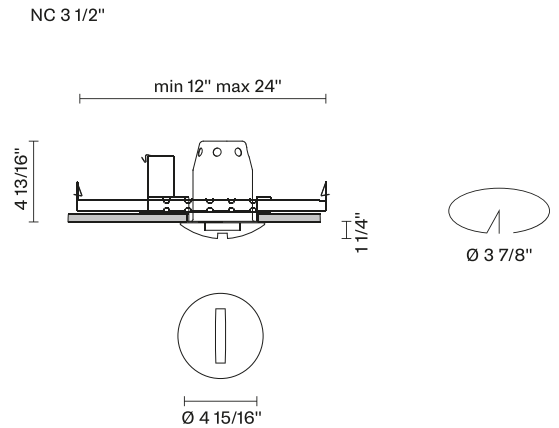


Faretti D27  
**D27F03NC01**  
*Pamio Design*

Fixture type   
 Project name



## Dimensions



## Material

Crystal glass

## Color

White

## Other colors available

Check online [www.fabbian.us](http://www.fabbian.us)

## Not included accessories

GU10 Lamp

## Description

The Faretti Jnat semi-recessed lamp has a rounded shape that enhances the effect of the light. Made of white crystal glass. GU10-based lamping. New Construction Housing. Suitable for residential, corporate, hospitality, and retail applications.

## Voltage

120V

## Dimmable

TRIAC

## Specs



## Light source and Technical

Lamp type: Halogen/Retrofit

Wattage: 50W