



LAMINIS F33 & TILE D95

Fabbian Technical Design & Pamio Design



:FABBIAN



Established in the Venetian countryside in 1961, Fabbian is one of the premier Italian lighting manufacturers operating in the modern design market with the design and manufacturing of lighting fixtures for commercial, residential, and custom needs. This rich history, combined with traditional Italian craftsmanship and the finest quality materials, keeps Fabbian a prominent brand internationally recognized in the architectural and design communities worldwide.

Fabbian continues to innovate by continuously researching new materials, finishes, styles, and aesthetics. Fabbian's factory is based in the Veneto region of Italy, and it has access to a vast network of local glass and metal artisans to ensure that the highest quality expectations and safety requirements are met.

LAMINIS F33

Fabbian Technical Design

TILE D95

Pamio Design





Illuminated Glass as Architecture

Light is often applied to architecture. Increasingly, designers are looking for ways to integrate light directly into the built environment.

Glass offers a unique opportunity to achieve this integration. When illuminated from within, glass surfaces can function simultaneously as material, light source, and spatial element.

By working with modular glass components, designers can create luminous walls, suspended compositions, partitions, and sculptural installations that shape the atmosphere and identity of a space.

Fabbian has developed two modular systems that explore this idea of illuminated glass as part of architecture.



Two Approaches to Illuminated Glass

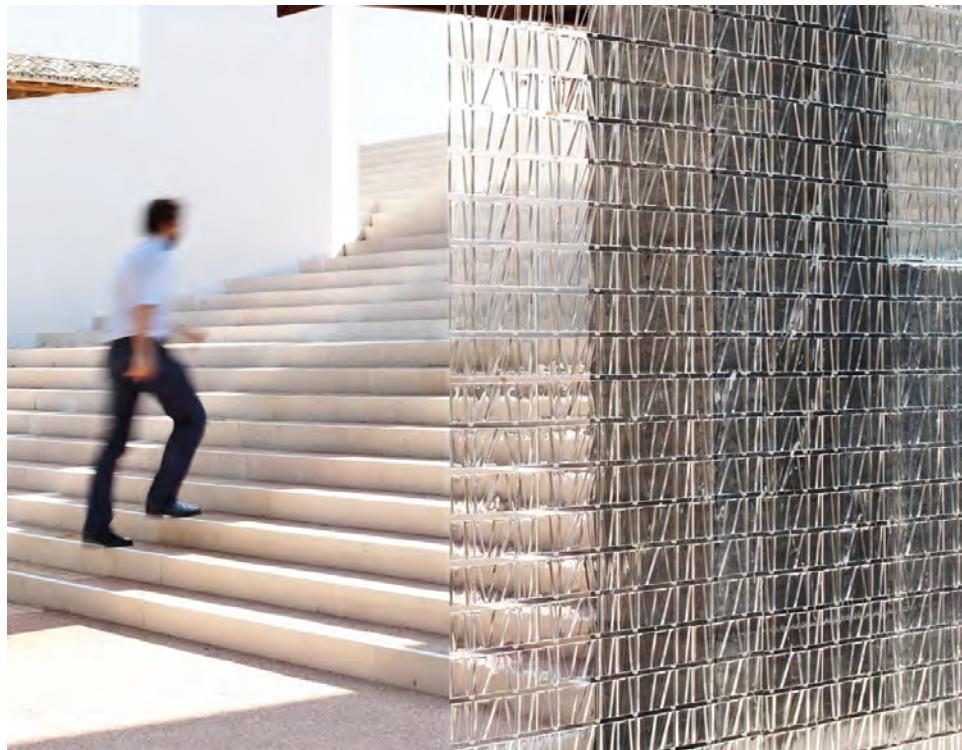
Fabbian's Tile and Laminis collections are modular lighting systems built around illuminated glass tiles. Both systems allow designers to create custom luminous compositions that integrate directly into architectural environments.

While both share a modular architectural approach, the experience of each collection is defined by the character of the glass.

Tile uses precision-cut crystal glass tiles that produce sharp reflections and structured luminous compositions.

Laminis is composed of hand-cast Murano glass tiles created by master artisans, introducing depth, texture, and a more organic luminous surface.

Together, these two systems offer designers distinct ways to work with illuminated glass surfaces, from precise architectural compositions to expressive material installations.



Two Material Expressions

Laminis and Tile share a modular architectural system, but the experience of each installation is defined by the material character of the glass.



LAMINIS

Hand-Cast Murano Glass

- Individually cast glass tiles by Murano artisans
- Subtle variation in texture and depth
- Softer, more organic luminous surfaces
- Ideal for expressive walls and integrated architectural features

Often specified for hospitality environments, workplace interiors, and public spaces where atmosphere and material character are central to the design.



TILE

Precision Crystal Glass

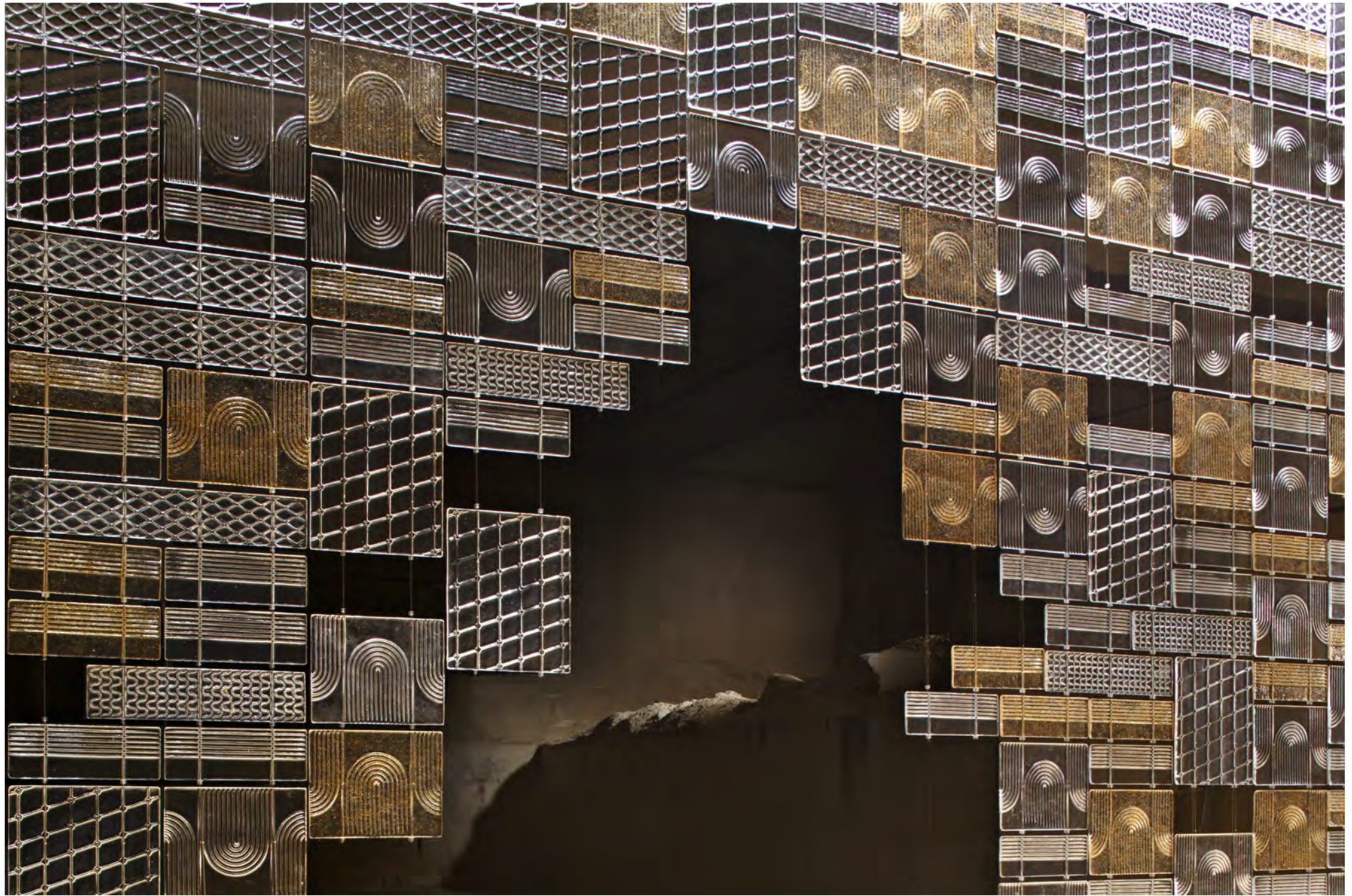
- Precision-cut crystal glass tiles
- Clean geometry and sharp reflections
- Brilliant, structured luminous surfaces
- Ideal for graphic compositions and architectural installations

Applications often include corporate environments, hospitality features, retail installations, and sculptural lighting elements.

LAMINIS F33

Hand-Cast Murano Glass
Architectural Glass Lighting System





Laminis F33

Hand-Cast Murano Glass

Laminis is an architectural lighting system designed to shape space through illuminated glass surfaces.

Composed of individually cast Murano glass tiles assembled like a luminous mosaic, the system allows light to integrate directly into vertical planes, suspended compositions, and custom spatial geometries. Rather than applying illumination to a surface, Laminis becomes part of the architecture itself.

Each glass tile is crafted by master artisans, introducing subtle variation in texture, depth, and material character. When illuminated, these surfaces create layered luminous effects that add atmosphere and identity to a space.

The modular system allows installations to scale from expressive focal pieces to large architectural applications across hospitality, workplace, and public interiors.

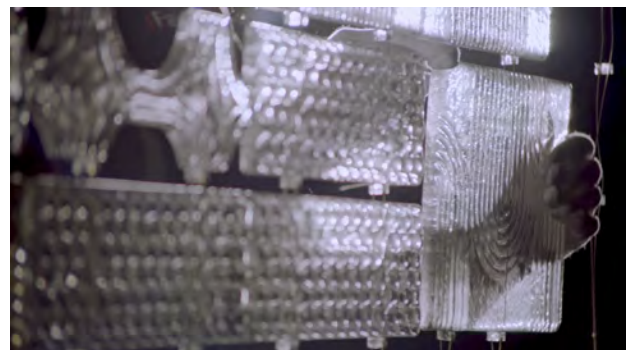
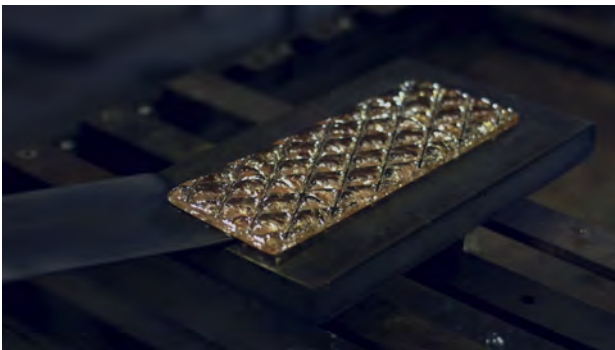
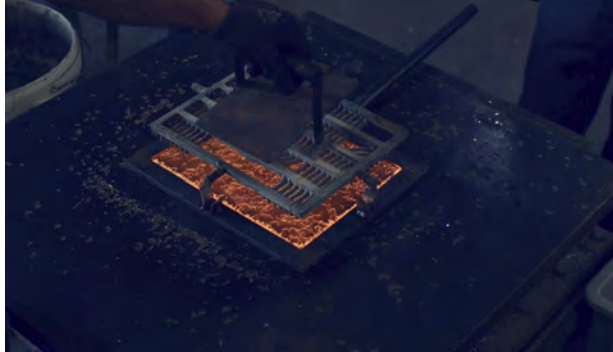


Laminis F33

Each Laminis tile is individually cast by master glass artisans in Murano, continuing a centuries-old Venetian glassmaking tradition.

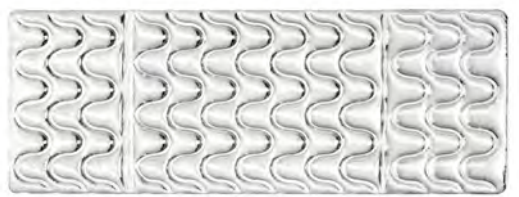
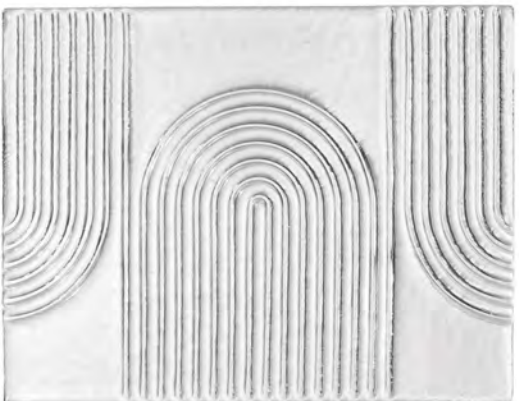
The process introduces subtle variations in texture and depth, giving each tile a unique character. When illuminated, these handcrafted surfaces create layered luminous effects that cannot be replicated through industrial glass production.

The result is a luminous surface that merges architectural structure with the expressive qualities of handmade glass.



Glass Pattern Library

Eight standard pressed glass patterns form the design vocabulary of the Laminis system.

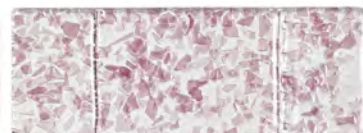


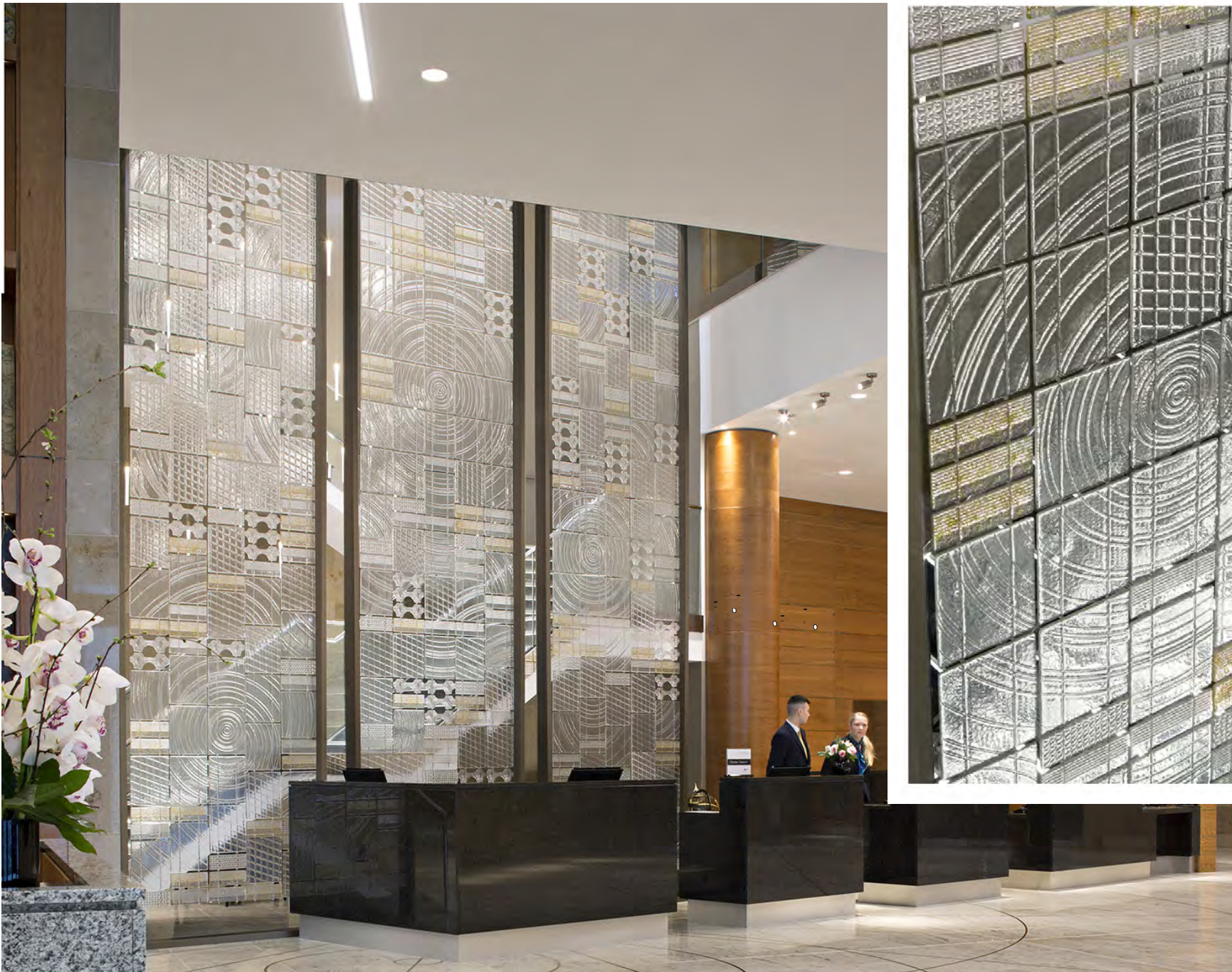
Custom Colors & Applications

Laminis can be customized using colored glass frit to create unique color compositions and identities. Custom “logo” frames allow the system to become a focal element in lobbies, entry spaces, and branded environments.

Applications:

- Branding
- Identity
- Custom compositions





Intercontinental London The O2 Hotel

London,
England



System Composition



Linear Bar with Cover Plate

Glass Modules

Support Cables

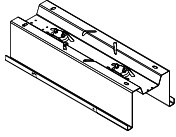


How to Build Your GU10 Laminis System 1 or 2 Glass Walls

GU10: lamp-based, simple configuration, flexible lamping
For use with one or two glass walls

1. Structure

Linear Bars

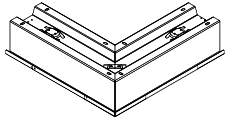


- 2 x 50W GU10 lamps per 11 3/4" section
- Electrification at every module
- Alternate lamping available upon request

Modules:

- F33M11A - 11 3/4" Starter (Electrified)
- F33M12A - 11 3/4"
- F33M13A - 23 9/16"
- F33M14A - 35 3/8"
- F33M15A - 47 3/16"

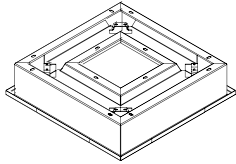
Angle Bar



Creates 90° transitions within the system

F33M16A 63 — 11 3/4" x 11 3/4" (Starter)

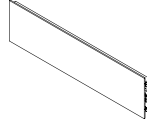
Square Bar



Enables square configurations and closed loops

F33M17A 63 - 11 3/4" x 11 3/4" (Starter)

2. Cover Options (Finish)



Cover elements are used to finish the appearance of linear, angle, and square bars, providing a consistent and coordinated system aesthetic.

Polished Aluminum

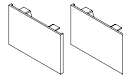
- F33Z10A - 11 3/4"
- F33Z11A - 23 9/16"
- F33Z12A - 35 3/8"
- F33Z13A - 47 3/16"
- F33Z14A - 59"
- F33Z15A - 70 13/16"

Golden Aluminum

- F33Z10A - 11 3/4"
- F33Z11A - 23 9/16"
- F33Z12A - 35 3/8"
- F33Z13A - 47 3/16"
- F33Z14A - 59"
- F33Z15A - 70 13/16"

Accessories

Pair of Endcaps



Used to start and terminate linear runs

- F33Z20A 15 - Polished aluminum
- F33Z20A 12- Golden aluminum

Wall Mount Kit

Required for wall-mounted configurations

Minimum Length: 11 3/4"
Modularity: 11 3/4" increments

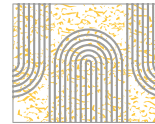
Wall Kit Options:

- F33Z02A 63 - 11 3/4"
- F33Z03A 63 - 23 9/16"
- F33Z04A 63 - 35 3/8"
- F33Z05A 63 - 47 3/16"

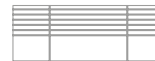
3. Glass Options



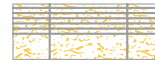
Cerchio
F33V01C2 00- Clear
11 3/8" x 9"



Cerchio
F33V01C2 47- Amber
11 3/8" x 9"



Riga
F33V02C4 00- Clear
11 3/8" x 4 5/16"



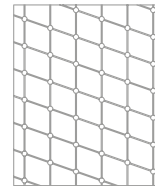
Riga
F33V02C4 47- Amber
11 3/8" x 4 5/16"



Onda
F33V03C4 00- Clear
11 3/8" x 4 5/16"



Rombo
F33V04C4 00- Clear
11 3/8" x 4 5/16"

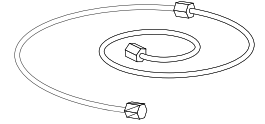


Quadro
F33V05C2 00- Clear
11 3/8" x 13 3/4"



Ponte
F33V06C4 00- Clear
11 3/8" x 4 5/16"

4. Support Cable



Support cables (A70401) are determined by the system configuration. The quantity of glass panels and internal voids must be specified for proper allocation.

5. Safety Cable Fastener



A safety cable fastener (A70402C08) is required for installations exceeding 78 11/16" (200 cm) in height.

Specify one fastener per stainless steel support cable.

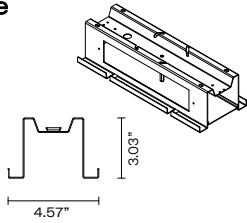
How to Build Your LED BAR Laminis System 1 or 2 Glass Walls

12" LED BAR module

For use with one or two glass walls

1. Structure

Linear Bars



- 11 3/4" modules
- 4 security cable fasteners are included in each bar

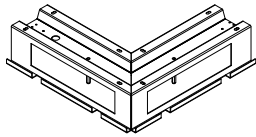
Modules:

F33 M01A 63 - 11 3/4" Starter (without driver)

F33 M02A 63 - 11 3/4" Starter with one driver

F33 M03A 63 - 11 3/4" Starter with two drivers

Angle Bar

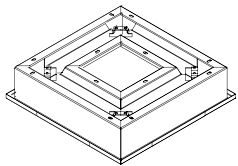


Creates 90° transitions within the system

F33 M06A 63 — 11 3/4" x 11 3/4" (Starter with two drivers)

Each driver is dimmable and supports max 12 LED bar.

Square Bar



Enables square configurations and closed loops

F33M17A 63 - 11 3/4" x 11 3/4" (Starter)

2. Cover Options (Finish)



Cover elements are used to finish the appearance of linear, angle, and square bars, providing a consistent and coordinated system aesthetic.

Polished Aluminum

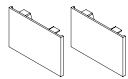
F33Z10A - 11 3/4"
 F33Z11A - 23 9/16"
 F33Z12A - 35 3/8"
 F33Z13A - 47 3/16"
 F33Z14A - 59"
 F33Z15A - 70 13/16"

Golden Aluminum

F33Z10A - 11 3/4"
 F33Z11A - 23 9/16"
 F33Z12A - 35 3/8"
 F33Z13A - 47 3/16"
 F33Z14A - 59"
 F33Z15A - 70 13/16"

Accessories

Pair of Endcaps



Used to start and terminate linear runs

F33Z20A 15 - Polished aluminum

F33Z20A 12- Golden aluminum

Wall Mount Kit

Required for wall-mounted configurations

Minimum Length: 11 3/4"

Modularity: 11 3/4" increments

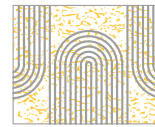
Wall Kit Options:

F33Z02A 63 - 11 3/4"
 F33Z03A 63 - 23 9/16"
 F33Z04A 63 - 35 3/8"
 F33Z05A 63 - 47 3/16"

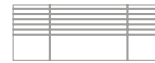
3. Glass Options



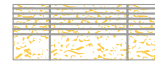
Cerchio
 F33V01C2 00- Clear
 11 3/8" x 9"



Cerchio
 F33V01C2 47- Amber
 11 3/8" x 9"



Riga
 F33V02C4 00- Clear
 11 3/8" x 4 5/16"



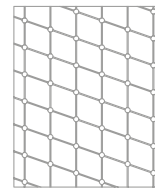
Riga
 F33V02C4 47- Amber
 11 3/8" x 4 5/16"



Onda
 F33V03C4 00- Clear
 11 3/8" x 4 5/16"



Rombo
 F33V04C4 00- Clear
 11 3/8" x 4 5/16"

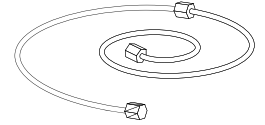


Quadro
 F33V05C2 00- Clear
 11 3/8" x 13 3/4"



Ponte
 F33V06C4 00- Clear
 11 3/8" x 4 5/16"

4. Support Cable



Support cables (A70401) are determined by the system configuration. The quantity of glass panels and internal voids must be specified for proper allocation.

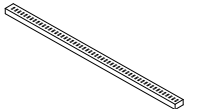
5. Safety Cable Fastener



A safety cable fastener (A70402C08) is required for installations exceeding 78 11/16" (200 cm) in height.

Specify one fastener per stainless steel support cable.

6. LED Light Bar



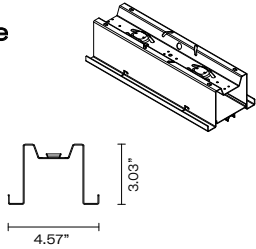
F33 Z51A - 5W 24Vdc 400lm 3000K
 CRI 80+ 11.61"L LED bar complete with Aluminum support and diffuser

How to Build Your LED Strip Laminis System 1 or 2 Glass Walls

LED Strip by the meter
For use with one or two glass walls

1. Structure

Linear Bars

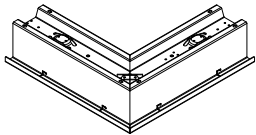


- Minimum length 11 3/4" modules
- 11 3/4" increments
- LED and driver sold separately

Modules:

F33 M22A 63 - 11 3/4" (without driver)
F33 M23A 63 - 23 9/16"
F33 M24A 63 - 35 3/8"
F33 M25A 63 - 47 3/16"

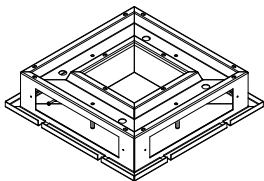
Angle Bar



Creates 90° transitions within the system
LED and driver sold separately

F33 M26A 63 — 11 3/4" x 11 3/4"

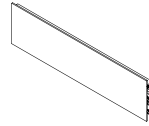
Square Bar



Enables square configurations and closed loops
LED and driver sold separately

F33 M27A 63 - 11 3/4" x 11 3/4"

2. Cover Options (Finish)



Cover elements are used to finish the appearance of linear, angle, and square bars, providing a consistent and coordinated system aesthetic.

Polished Aluminum

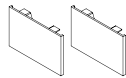
F33Z10A 27 - 11 3/4"
F33Z11A 27 - 23 9/16"
F33Z12A 27 - 35 3/8"
F33Z13A 27 - 47 3/16"
F33Z14A 27 - 59"
F33Z15A 27 - 70 13/16"

Golden Aluminum

F33Z10A 74 - 11 3/4"
F33Z11A 74 - 23 9/16"
F33Z12A 74 - 35 3/8"
F33Z13A 74 - 47 3/16"
F33Z14A 74 - 59"
F33Z15A 74 - 70 13/16"

Accessories

Pair of Endcaps



Used to start and terminate linear runs

F33Z20A 15 - Polished aluminum
F33Z20A 12- Golden aluminum

Wall Mount Kit

Required for wall-mounted configurations

Minimum Length: 11 3/4"
Modularity: 11 3/4" increments

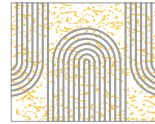
Wall Kit Options:

F33Z02A 63 - 11 3/4"
F33Z03A 63 - 23 9/16"
F33Z04A 63 - 35 3/8"
F33Z05A 63 - 47 3/16"

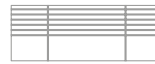
3. Glass Options



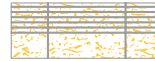
Cerchio
F33V01C2 00- Clear
11 3/8" x 9"



Cerchio
F33V01C2 47- Amber
11 3/8" x 9"



Riga
F33V02C4 00- Clear
11 3/8" x 4 5/16"



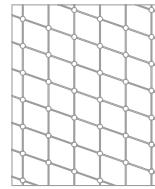
Riga
F33V02C4 47- Amber
11 3/8" x 4 5/16"



Onda
F33V03C4 00- Clear
11 3/8" x 4 5/16"



Rombo
F33V04C4 00- Clear
11 3/8" x 4 5/16"

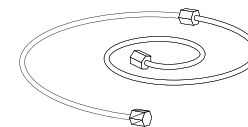


Quadro
F33V05C2 00- Clear
11 3/8" x 13 3/4"



Ponte
F33V06C4 00- Clear
11 3/8" x 4 5/16"

4. Support Cable



Support cables (A70401) are determined by the system configuration. The quantity of glass panels and internal voids must be specified for proper allocation.

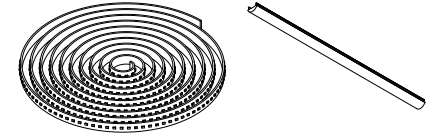
5. Safety Cable Fastener



A safety cable fastener (A70402C08) is required for installations exceeding 78 11/16" (200 cm) in height.

Specify one fastener per stainless steel support cable.

6. LED Strip & Lens



F33 Z53A - Specify by the meter
23W/meter, 24Vdc, 2600lm/meter
3000K, CRI 90+

F33 Z55A- LED lens 30"

7. Power Supply

Choose suitable LED power supply

A55208- 60W, 24V, 120V Class 2 Remote
ELV Fits in 4 J-Box.

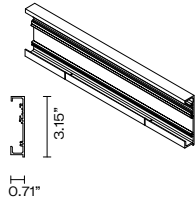
A55209- 96W, 24V, 120V, ELV
A55210- 96W, 24V, 120-277V (UNV), 0-10V

How to Build Your Laminis 1 Glass Wall

For use with 1 glass wall with or without LED Strip by the meter

1. Structure

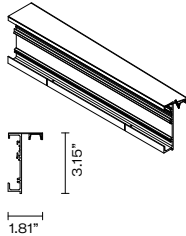
Linear Bars (No Light)



- Minimum length 11 3/4" modules
 - 11 3/4" increments
 - No Light
- Polished Aluminum Modules:
- F33 M32A 63 - 11 3/4"
 - F33 M33A 63 - 23 9/16"
 - F33 M34A 63 - 35 3/8"
 - F33 M35A 63 - 47 3/16"

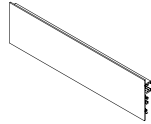
- Golden Aluminum Modules:
- F33 M32A 74 - 11 3/4"
 - F33 M33A 74 - 23 9/16"
 - F33 M34A 74 - 35 3/8"
 - F33 M35A 74 - 47 3/16"

Linear Bars (With Light Channel)



- Minimum length 11 3/4" modules
 - 11 3/4" increments
 - LED and driver sold separately
- Modules:
- F33 M42A 63 - 11 3/4"
 - F33 M43A 63 - 23 9/16"
 - F33 M44A 63 - 35 3/8"
 - F33 M45A 63 - 47 3/16"

2. Cover Options (Finish)



Cover elements are used to finish the appearance of linear, angle, and square bars, providing a consistent and coordinated system aesthetic.

Polished Aluminum

- F33Z10A 27 - 11 3/4"
- F33Z11A 27 - 23 9/16"
- F33Z12A 27 - 35 3/8"
- F33Z13A 27 - 47 3/16"
- F33Z14A 27 - 59"
- F33Z15A 27 - 70 13/16"

Golden Aluminum

- F33Z10A 74 - 11 3/4"
- F33Z11A 74 - 23 9/16"
- F33Z12A 74 - 35 3/8"
- F33Z13A 74 - 47 3/16"
- F33Z14A 74 - 59"
- F33Z15A 74 - 70 13/16"

Accessories

Endcaps



Right and Left endcaps to terminate run

Polished Aluminum

- F33 Z21A 15- Right Cap
- F33 Z22A 15- Left Cap

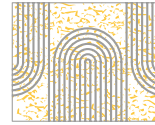
Golden Aluminum

- F33 Z21A 12- Right Cap
- F33 Z22A 12- Left Cap

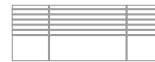
3. Glass Options



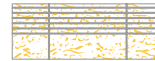
Cerchio
F33V01C2 00- Clear
11 3/8" x 9"



Cerchio
F33V01C2 47- Amber
11 3/8" x 9"



Riga
F33V02C4 00- Clear
11 3/8" x 4 5/16"



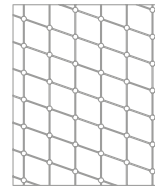
Riga
F33V02C4 47- Amber
11 3/8" x 4 5/16"



Onda
F33V03C4 00- Clear
11 3/8" x 4 5/16"



Rombo
F33V04C4 00- Clear
11 3/8" x 4 5/16"

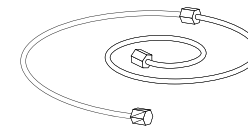


Quadro
F33V05C2 00- Clear
11 3/8" x 13 3/4"



Ponte
F33V06C4 00- Clear
11 3/8" x 4 5/16"

4. Support Cable



Support cables (A70401) are determined by the system configuration. The quantity of glass panels and internal voids must be specified for proper allocation.

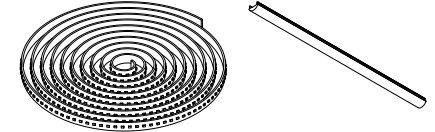
5. Safety Cable Fastener



A safety cable fastener (A70402C08) is required for installations exceeding 78 11/16" (200 cm) in height.

Specify one fastener per stainless steel support cable.

6. LED Strip & Lens



F33 Z53A - Specify by the meter
23W/meter, 24Vdc, 2600lm/meter
3000K, CRI 90+

F33 Z55A- LED lens 30"

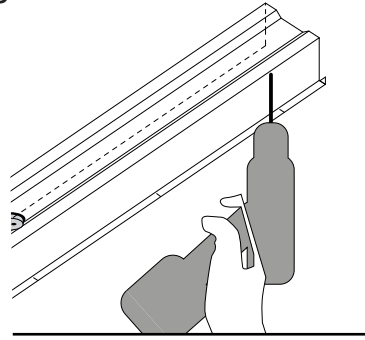
7. Power Supply

Choose suitable LED power supply

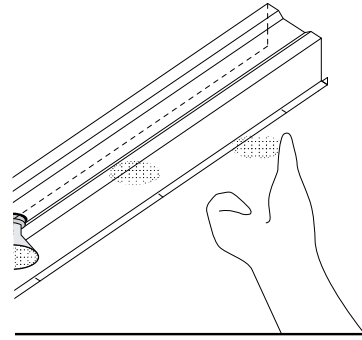
A55208- 60W, 24V, 120V Class 2 Remote
ELV Fits in 4 J-Box.

A55209- 96W, 24V, 120V, ELV
A55210- 96W, 24V, 120-277V (UNV), 0-10V

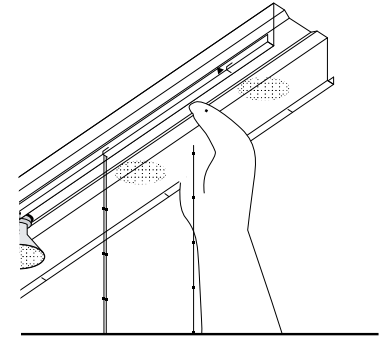
Laminis GU10 Installation Details



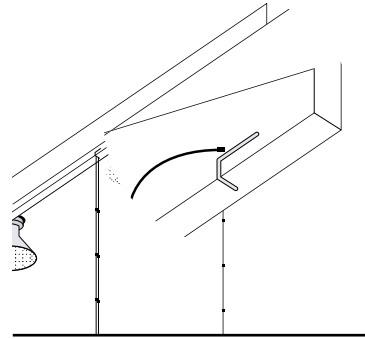
Electrical connection and bar fastening.



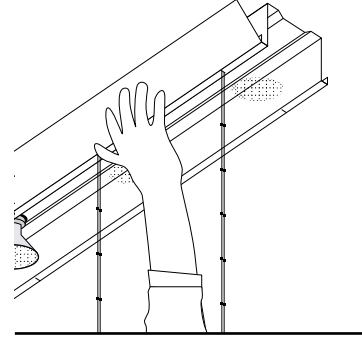
Light bulbs installation.



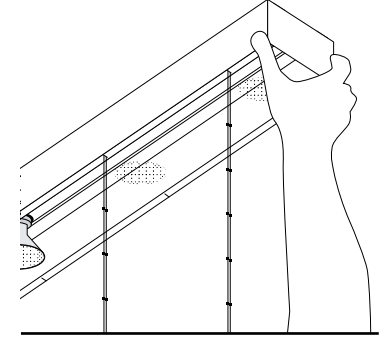
Stainless steel cables insertion and cut.



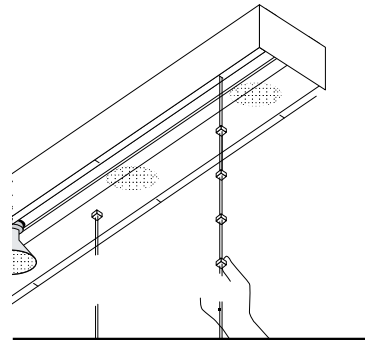
Cable insertion detail.



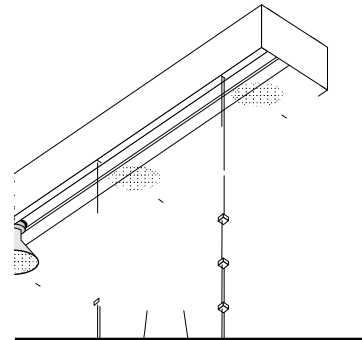
Attach cover.



Attach endcaps.



Attach glass fasteners.



Insert glass tiles.





Altitude Restaurant at the
Ana Hotel

Poiana Brasov,
Romania



Jakarta



TILE D95

Precision Crystal Glass
Architectural Glass Lighting System







Tile D95

Precision-Cut Crystal Glass

Tile is an architectural lighting system that uses precision-cut crystal glass modules to create luminous architectural surfaces.

The modular structure allows light to integrate into suspended partitions, illuminated columns, chandeliers, and large-scale architectural installations.

Each crystal element is precision-cut to maximize clarity, reflection, and light transmission. Suspended from slender stainless steel cables, the compositions appear lightweight while maintaining a defined architectural presence.

The system can scale from sculptural focal elements to expansive installations across hospitality, residential, retail, and workplace environments.



Tile D95

Each Tile element is formed from precision-cut crystal glass designed to maximize clarity, reflection, and light transmission.

Suspended from slender stainless steel cables and integrated lighting bars, the modular panels create illuminated compositions that appear lightweight within the architecture.

The result is a luminous architectural surface defined by optical precision, reflection, and layered light.



Glass Color Library

Five standard crystal finishes define the visual character of the Tile system.

Available in Clear, Aquamarine, Amethyst, Green, and Amber, the Tile system ranges from subtle architectural transparency to expressive illuminated color.





Cathay Pacific Lounge

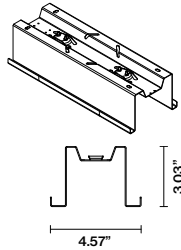
Hong Kong



How to Build Your GU10 Tile 1 or 2 Glass Walls

GU10: lamp-based, simple configuration, flexible lamping
For use with one or two glass walls

1. Structure Linear Bars

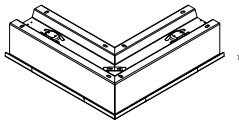


- 2 x 50W GU10 lamps per 11 3/4" section
- Electrification at every module
- Alternate lamping available upon request

Modules:

- D95 M11A 63 - 11 3/4" Starter (Electrified)
- D95 M12A 63 - 11 3/4"
- D95 M13A 63 - 23 9/16"
- D95 M14A 63 - 35 3/8"
- D95 M15A 63 - 47 3/16"

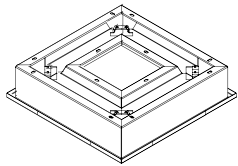
Angle Bar



Creates 90° transitions within the system

D95 M16A 63 — 11 3/4" x 11 3/4" (Starter)

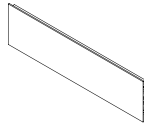
Square Bar



Enables square configurations and closed loops

D95 M17A 63 - 11 3/4" x 11 3/4" (Starter)

2. Cover Options (Finish)



Cover elements are used to finish the appearance of linear, angle, and square bars, providing a consistent and coordinated system aesthetic.

Polished Aluminum

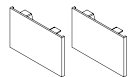
- D95 Z10A 27 - 11 3/4"
- D95 Z11A 27 - 23 9/16"
- D95 Z12A 27 - 35 3/8"
- D95 Z13A 27 - 47 3/16"
- D95 Z14A 27 - 59"
- D95 Z15A 27- 70 13/16"

Golden Aluminum

- D95 Z10A 74- 11 3/4"
- D95 Z11A 74- 23 9/16"
- D95 Z12A 74- 35 3/8"
- D95 Z13A 74- 47 3/16"
- D95 Z14A 74- 59"
- D95 Z15A 74- 70 13/16"

Accessories

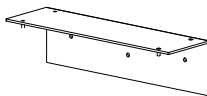
Pair of Endcaps



Used to start and terminate linear runs

- D95 Z20A 15 - Polished aluminum
- D95 Z20A 12- Golden aluminum

Wall Mount Kit



Required for wall-mounted configurations

Minimum Length: 11 3/4"
Modularity: 11 3/4" increments

Wall Kit Options:

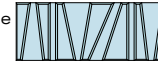
- D95 Z02A 63 - 11 3/4"
- D95 Z03A 63 - 23 9/16"
- D95 Z04A 63 - 35 3/8"
- D95 Z05A 63 - 47 3/16"

3. Glass Options

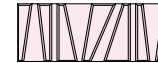
D95 E01 C4V 00- Clear
11 3/8" x 4 5/16"



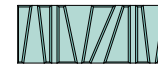
D95 E01 C4V 05- Aquamarine
11 3/8" x 4 5/16"



D95 E01 C4V 40- Amethyst
11 3/8" x 4 5/16"



D95 E01 C4V 43- Green
11 3/8" x 4 5/16"



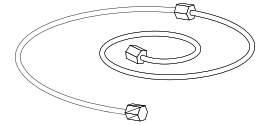
D95 E01 C4V 47- Amber
11 3/8" x 4 5/16"



D95 E02 C4V 00- Clear
7 7/16" x 4 5/16"



4. Support Cable



Support cables (D95 Z49A) are determined by the system configuration. The quantity of glass panels and internal voids must be specified for proper allocation.

5. Safety Cable Fastener



A safety cable fastener (D95 Z48A) is required for installations exceeding 78 11/16" (200 cm) in height.

Specify one fastener per stainless steel support cable.

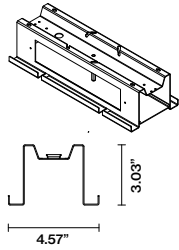
How to Build Your LED BAR Tile 1 or 2 Glass Walls

12" LED BAR module

For use with one or two glass walls

1. Structure

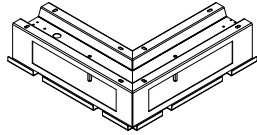
Linear Bars



- 11 3/4" modules
- 4 security cable fasteners are included in each bar

Modules:
 D95 M01A 63 - 11 3/4" Starter (without driver)
 D95 M02A 63 - 11 3/4" Starter with one driver
 D95 M03A 63 - 11 3/4" Starter with two drivers

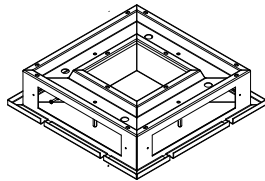
Angle Bar



Creates 90° transitions within the system

D95 M06A 63 — 11 3/4" x 11 3/4" (Starter with two drivers)
 Each driver is dimmable and supports max 12 LED bar.

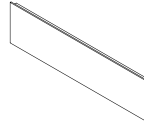
Square Bar



Enables square configurations and closed loops

D95 M07A 63 - 11 3/4" x 11 3/4" (Starter with four drivers)
 Each driver is dimmable and supports max 12 LED bar.

2. Cover Options (Finish)



Cover elements are used to finish the appearance of linear, angle, and square bars, providing a consistent and coordinated system aesthetic.

Polished Aluminum

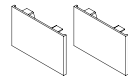
D95 Z10A 27 - 11 3/4"
 D95 Z11A 27 - 23 9/16"
 D95 Z12A 27 - 35 3/8"
 D95 Z13A 27 - 47 3/16"
 D95 Z14A 27 - 59"
 D95 Z15A 27- 70 13/16"

Golden Aluminum

D95 Z10A 74- 11 3/4"
 D95 Z11A 74- 23 9/16"
 D95 Z12A 74- 35 3/8"
 D95 Z13A 74- 47 3/16"
 D95 Z14A 74- 59"
 D95 Z15A 74- 70 13/16"

Accessories

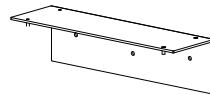
Pair of Endcaps



Used to start and terminate linear runs

D95 Z20A 15 - Polished aluminum
 D95 Z20A 12- Golden aluminum

Wall Mount Kit



Required for wall-mounted configurations

Minimum Length: 11 3/4"
 Modularity: 11 3/4" increments

Wall Kit Options:

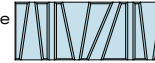
D95 Z02A 63 - 11 3/4"
 D95 Z03A 63 - 23 9/16"
 D95 Z04A 63 - 35 3/8"
 D95 Z05A 63 - 47 3/16"

3. Glass Options

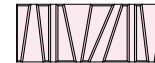
D95 E01 C4V 00- Clear
 11 3/8" x 4 5/16"



D95 E01 C4V 05- Aquamarine
 11 3/8" x 4 5/16"



D95 E01 C4V 40- Amethyst
 11 3/8" x 4 5/16"



D95 E01 C4V 43- Green
 11 3/8" x 4 5/16"



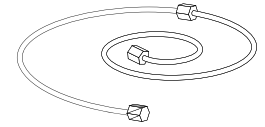
D95 E01 C4V 47- Amber
 11 3/8" x 4 5/16"



D95 E02 C4V 00- Clear
 7 7/16" x 4 5/16"



4. Support Cable



Support cables (D95 Z49A) are determined by the system configuration. The quantity of glass panels and internal voids must be specified for proper allocation.

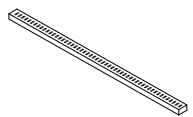
5. Safety Cable Fastener



A safety cable fastener (D95 Z48A) is required for installations exceeding 78 11/16" (200 cm) in height.

Specify one fastener per stainless steel support cable.

6. LED Light Bar



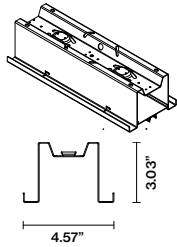
D95 Z51A - 5W 24Vdc 400lm 3000K
 CRI 80+ 11.61"L LED bar complete with Aluminum support and diffuser

How to Build Your LED Strip Tile 1 or 2 Glass Walls

LED Strip by the meter
For use with one or two glass walls

1. Structure

Linear Bars

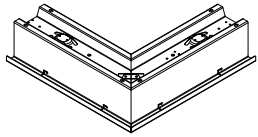


- Minimum length 11 3/4" modules
- 11 3/4" increments
- LED and driver sold separately

Modules:

D95 M22A 63 - 11 3/4" (without driver)
D95 M23A 63 - 23 9/16"
D95 M24A 63 - 35 3/8"
D95 M25A 63 - 47 3/16"

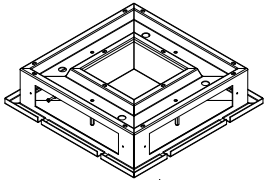
Angle Bar



Creates 90° transitions within the system
LED and driver sold separately

D95 M26A 63 — 11 3/4" x 11 3/4"

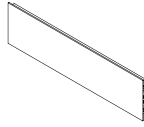
Square Bar



Enables square configurations and closed loops
LED and driver sold separately

D95 M27A 63 - 11 3/4" x 11 3/4"

2. Cover Options (Finish)



Cover elements are used to finish the appearance of linear, angle, and square bars, providing a consistent and coordinated system aesthetic.

Polished Aluminum

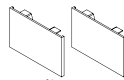
D95 Z10A 27 - 11 3/4"
D95 Z11A 27 - 23 9/16"
D95 Z12A 27 - 35 3/8"
D95 Z13A 27 - 47 3/16"
D95 Z14A 27 - 59"
D95 Z15A 27 - 70 13/16"

Golden Aluminum

D95 Z10A 74 - 11 3/4"
D95 Z11A 74 - 23 9/16"
D95 Z12A 74 - 35 3/8"
D95 Z13A 74 - 47 3/16"
D95 Z14A 74 - 59"
D95 Z15A 74 - 70 13/16"

Accessories

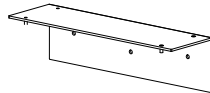
Pair of Endcaps



Used to start and terminate linear runs

D95 Z20A 15 - Polished aluminum
D95 Z20A 12 - Golden aluminum

Wall Mount Kit



Required for wall-mounted configurations

Minimum Length: 11 3/4"
Modularity: 11 3/4" increments

Wall Kit Options:

D95 Z02A 63 - 11 3/4"
D95 Z03A 63 - 23 9/16"
D95 Z04A 63 - 35 3/8"
D95 Z05A 63 - 47 3/16"

3. Glass Options

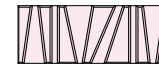
D95 E01 C4V 00- Clear
11 3/8" x 4 5/16"



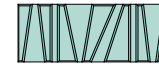
D95 E01 C4V 05- Aquamarine
11 3/8" x 4 5/16"



D95 E01 C4V 40- Amethyst
11 3/8" x 4 5/16"



D95 E01 C4V 43- Green
11 3/8" x 4 5/16"



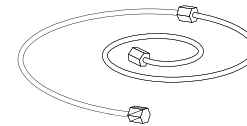
D95 E01 C4V 47- Amber
11 3/8" x 4 5/16"



D95 E02 C4V 00- Clear
7 7/16" x 4 5/16"



4. Support Cable



Support cables (D95 Z49A) are determined by the system configuration. The quantity of glass panels and internal voids must be specified for proper allocation.

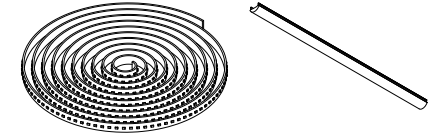
5. Safety Cable Fastener



A safety cable fastener (D95 Z48A) is required for installations exceeding 78 11/16" (200 cm) in height.

Specify one fastener per stainless steel support cable.

6. LED Strip & Lens



D95 Z53A - Specify by the meter
23W/meter, 24Vdc, 2600lm/meter
3000K, CRI 90+

D95 Z55A- LED lens 30"

7. Power Supply

Choose suitable LED power supply

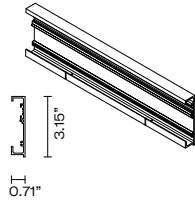
A55208- 60W, 24V, 120V Class 2 Remote
ELV Fits in 4 J-Box.
A55209- 96W, 24V, 120V, ELV
A55210- 96W, 24V, 120-277V (UNV), 0-10V

How to Build Your Tile 1 Glass Wall

For use with 1 glass wall with or without LED Strip by the meter

1. Structure

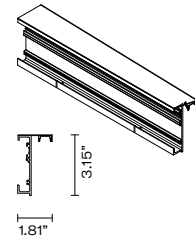
Linear Bars (No Light)



- Minimum length 11 3/4" modules
 - 11 3/4" increments
 - No Light
- Polished Aluminum Modules:
- D95 M32A 63 - 11 3/4"
 - D95 M33A 63 - 23 9/16"
 - D95 M34A 63 - 35 3/8"
 - D95 M35A 63 - 47 3/16"

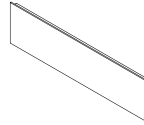
- Golden Aluminum Modules:
- D95 M32A 74 - 11 3/4"
 - D95 M33A 74 - 23 9/16"
 - D95 M34A 74 - 35 3/8"
 - D95 M35A 74 - 47 3/16"

Linear Bars (With Light Channel)



- Minimum length 11 3/4" modules
 - 11 3/4" increments
 - LED and driver sold separately
- Modules:
- D95 M42A 63 - 11 3/4"
 - D95 M43A 63 - 23 9/16"
 - D95 M44A 63 - 35 3/8"
 - D95 M45A 63 - 47 3/16"

2. Cover Options (Finish)



Cover elements are used to finish the appearance of linear, angle, and square bars, providing a consistent and coordinated system aesthetic.

Polished Aluminum

- D95 Z10A 27 - 11 3/4"
- D95 Z11A 27 - 23 9/16"
- D95 Z12A 27 - 35 3/8"
- D95 Z13A 27 - 47 3/16"
- D95 Z14A 27 - 59"
- D95 Z15A 27 - 70 13/16"

Golden Aluminum

- D95 Z10A 74 - 11 3/4"
- D95 Z11A 74 - 23 9/16"
- D95 Z12A 74 - 35 3/8"
- D95 Z13A 74 - 47 3/16"
- D95 Z14A 74 - 59"
- D95 Z15A 74 - 70 13/16"

Accessories

Endcaps



Right and Left endcaps to terminate run

Polished Aluminum

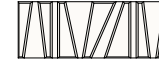
- D95 Z21A 15- Right Cap
- D95 Z22A 15- Left Cap

Golden Aluminum

- D95 Z21A 12- Right Cap
- D95 Z22A 12- Left Cap

3. Glass Options

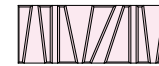
D95 E01 C4V 00- Clear
11 3/8" x 4 5/16"



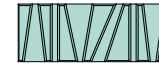
D95 E01 C4V 05- Aquamarine
11 3/8" x 4 5/16"



D95 E01 C4V 40- Amethyst
11 3/8" x 4 5/16"



D95 E01 C4V 43- Green
11 3/8" x 4 5/16"



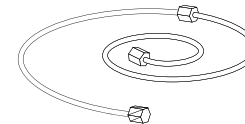
D95 E01 C4V 47- Amber
11 3/8" x 4 5/16"



D95 E02 C4V 00- Clear
7 7/16" x 4 5/16"



4. Support Cable



Support cables (D95 Z49A) are determined by the system configuration. The quantity of glass panels and internal voids must be specified for proper allocation.

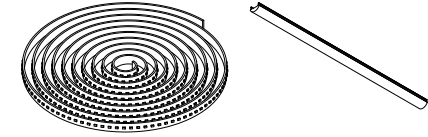
5. Safety Cable Fastener



A safety cable fastener (D95 Z48A) is required for installations exceeding 78 11/16" (200 cm) in height.

Specify one fastener per stainless steel support cable.

6. LED Strip & Lens



D95 Z53A - Specify by the meter
23W/meter, 24Vdc, 2600lm/meter
3000K, CRI 90+

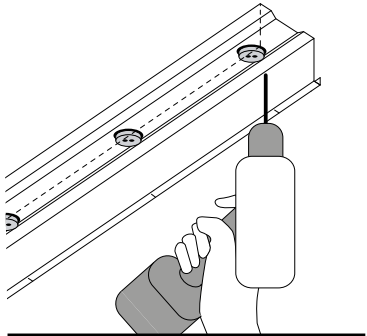
D95 Z55A- LED lens 30"

7. Power Supply

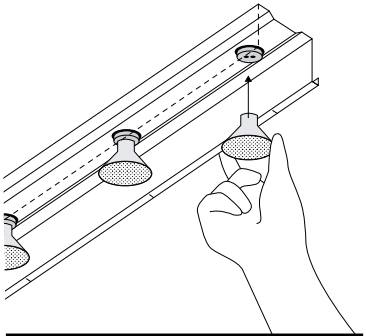
Choose suitable LED power supply

- A55208- 60W, 24V, 120V Class 2 Remote ELV Fits in 4 J-Box.
- A55209- 96W, 24V, 120V, ELV
- A55210- 96W, 24V, 120-277V (UNV), 0-10V

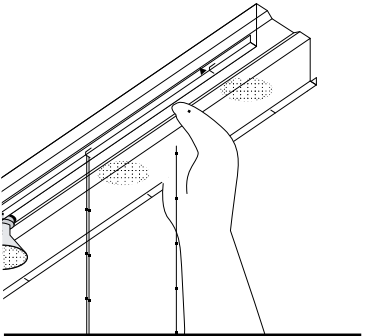
Tile GU10 Installation Details



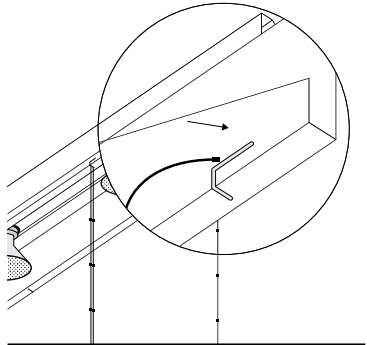
Electrical connection and bar fastening.



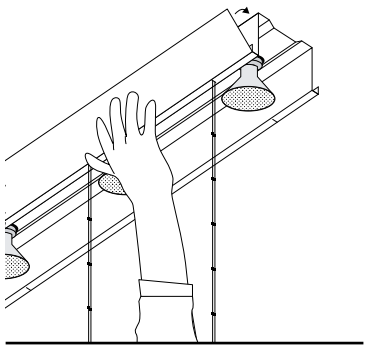
Light bulbs installation.



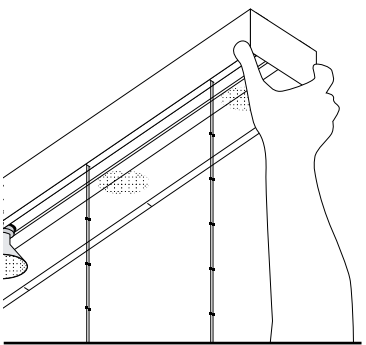
Stainless steel cables insertion and cut.



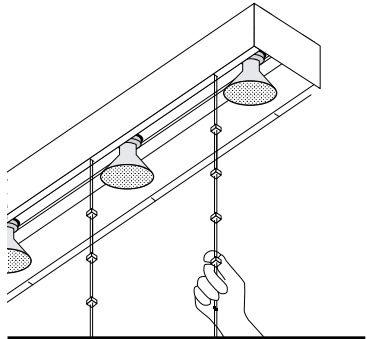
Cable insertion detail.



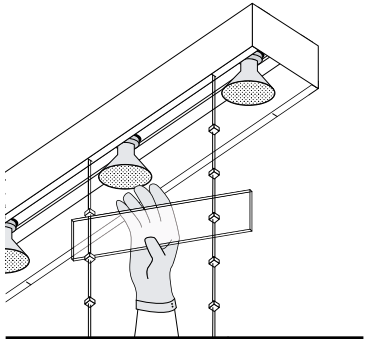
Attach cover.



Attach endcaps.



Attach glass fasteners.



Insert glass tiles.





El Palacio de Hierro

Mexico





Multi Use Building
—
Hong Kong





Private Residence

Atlanta,
Georgia

Tile D95

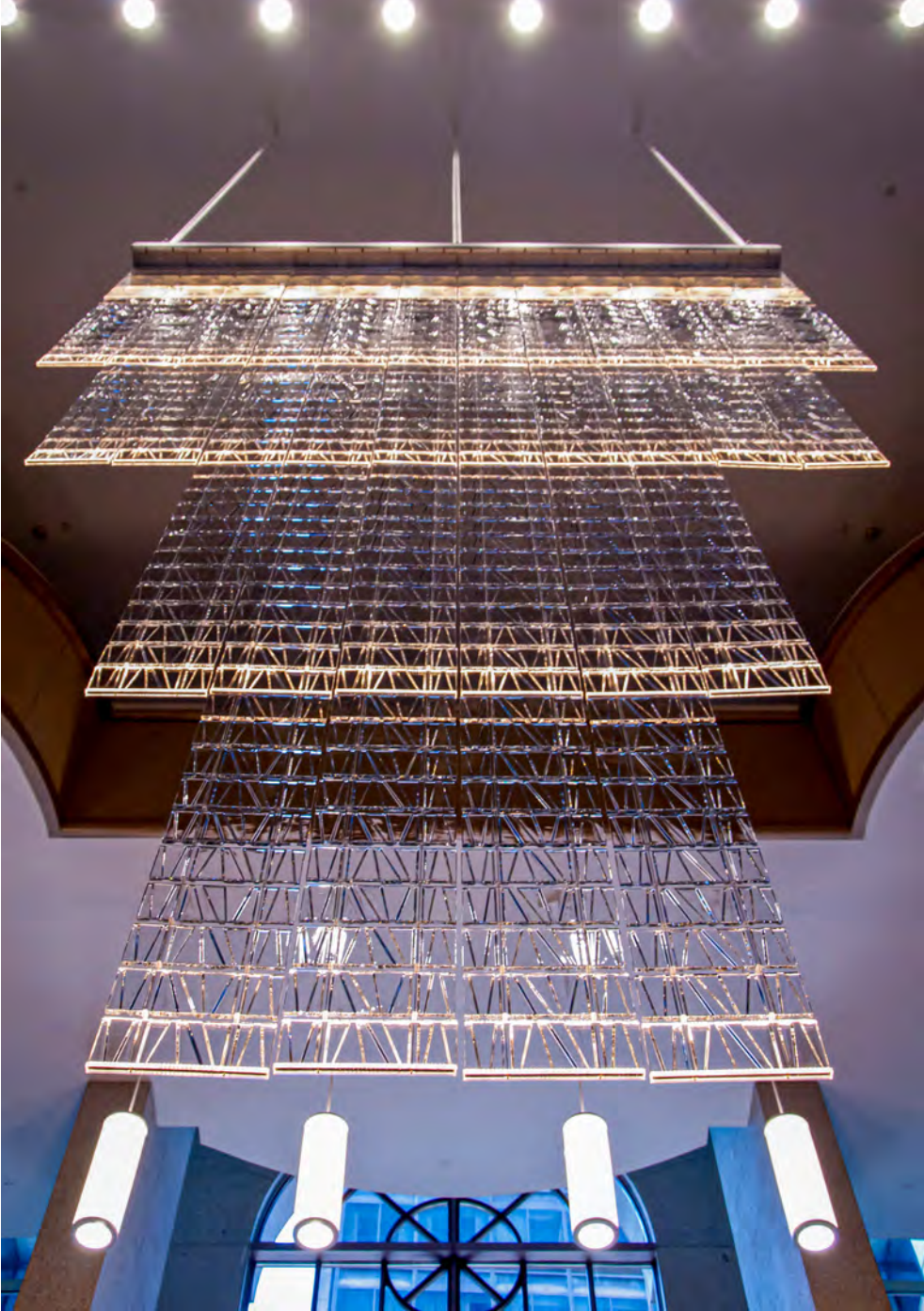




Cathedral Commons Lounge

Washington, DC





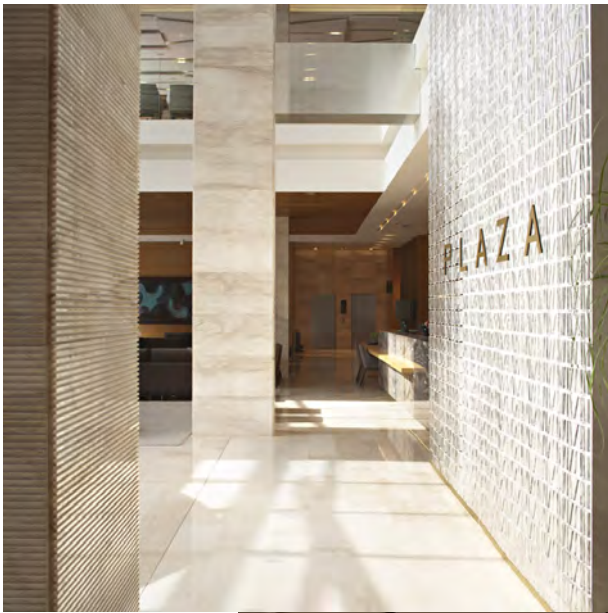
Pearl Street
—
Hartford,
Connecticut





Skins Cosmetic Shop
—
Amsterdam





Plaza Hotel
—
Slovenia





fabbian.us

